

## Installation Instructions

30" Electric, 30" Induction Range

30", 36" All Gas Range

30", 36", 48" Dual Fuel Range



To prevent accidents and damage to the range, you **must** read all instructions supplied before installing or using the appliance.

# IMPORTANT SAFETY INSTRUCTIONS

## WARNING

Children and adults can tip over the range if has not been secured. This may lead to fatal injuries.

- ▶ This range must be secured and connected using the anti-tip device according to the installation instructions.
- ▶ If you have moved the range, slide the locking latch onto the anti-tip device until you feel it lock into place.
- ▶ Do not use the range if the anti-tip device has not been properly installed and engaged.
- ▶ Failure to observe the information contained in the installation instructions can lead to serious or fatal injuries for children and adults.

	<b> WARNING</b>
	<p>All ranges can tip</p> <p>Injury to persons could result</p> <p>Install anti-tip devices packed with range</p> <p>See installation instructions</p>

# IMPORTANT SAFETY INSTRUCTIONS

**⚠ WARNING:** If the information in this manual is not followed exactly, a fire or explosion may result causing property damage, personal injury, or death.

- Do not use or store gasoline or other combustible liquids or vapors in the vicinity of this or any other appliance.
- WHAT TO DO IF YOU SMELL GAS
  - Do not try to light any appliance.
  - Do not touch any electric switches.
  - Do not use any phones inside your building.
  - Immediately call your gas supplier from a neighbor's phone. Follow the gas supplier's instructions.
  - If you are unable to reach your gas provider, call the fire department.
- Installation and service must be performed by a qualified installer, qualified service agency or your gas provider.  
(In Massachusetts, installation must be performed by a licensed installer / gas fitter.)
- Note to the installer:  
Please give these installation instructions to the consumer for the local electrical/gas inspector.



# Contents

---

<b>IMPORTANT SAFETY INSTRUCTIONS</b> .....	2
<b>IMPORTANT SAFETY INSTRUCTIONS</b> .....	6
<b>Notes on installation</b> .....	13
Model numbers .....	13
Data plate .....	13
Distance to the range hood.....	13
Items included with this range .....	13
Toe-kick and drop guard.....	14
Installation of the toe-kick.....	14
Installation of the drop guard.....	14
Assembling the grill.....	15
Optional accessories .....	16
RBGAG All Gas Backguard/RBGDF Dual Fuel Backguard.....	16
RBS Backsplash .....	19
XKM 3000 W Remote Vision.....	19
Required connections.....	21
<b>Electric Range dimensions</b> .....	22
HR 1421; HR 1622 .....	22
Detailed views of HR 1421.....	24
Detailed views of HR 1622.....	27
<b>All Gas Range dimensions</b> .....	30
HR 1124, HR 1134, HR 1135, HR 1136.....	30
Detailed views of HR 1124.....	34
Detailed views of HR 1134.....	37
Detailed views of HR 1135.....	40
Detailed views of HR 1136.....	43
<b>Dual Fuel Range dimensions</b> .....	46
HR 1924, HR 1934, HR 1935, HR 1936, HR 1954, HR 1955, HR 1956.....	46
Detailed views of HR 1924.....	51
Detailed views of HR 1934.....	54
Detailed views of HR 1935.....	57
Detailed views of HR 1936.....	60
Detailed views of HR 1954.....	63
Detailed views of HR 1955.....	66
Detailed views of HR 1956.....	69
<b>Anti-tip device</b> .....	72
Before installation .....	72
Checking the installation space.....	73

# Contents

---

Included accessories .....	73
Installation dimensions of locking bolt.....	74
Installing the range with the anti-tip device .....	74
Disconnecting the range from the anti-tip device.....	77
<b>Electrical connection</b> .....	<b>78</b>
Data plate.....	79
<b>Plumbing</b> .....	<b>81</b>
Notes on connecting to the water supply.....	81
Attach the stainless steel hose to the range. ....	82
Connecting to the water supply.....	82
<b>Gas connection</b> .....	<b>83</b>
<b>Converting to another gas type</b> .....	<b>85</b>
<b>Burner ratings</b> .....	<b>86</b>
Burner rating of HR 1124 .....	86
Burner rating of HR 1134 .....	87
Burner rating of HR 1135 .....	88
Burner rating of HR 1136 .....	89
Burner rating of HR 1924 .....	89
Burner rating of HR 1934 .....	90
Burner rating of HR 1935 .....	90
Burner rating of HR 1936 .....	91
Burner rating of HR 1954 .....	91
Burner rating of HR 1955 .....	92
Burner rating of HR 1956 .....	92
<b>Caring for the environment</b> .....	<b>93</b>

# IMPORTANT SAFETY INSTRUCTIONS

---

**When using the appliance, follow basic safety precautions, including the following:**

**Read all instructions before installation and use of the range to prevent accidents and machine damage.**

This range complies with current safety requirements. However, improper use of the appliance can result in personal injury or damage to property.

Please read the installation instructions carefully before installing and connecting the appliance.

Read the operating instructions before using the range for the first time. To prevent accidents and damage to the appliance, always observe both the installation instructions and operating instructions. Both documents contain important information about installation, safety, use and maintenance.

Miele cannot be held liable for damage occurring as a result of non-compliance with the instructions.

Keep these installation instructions and operating instructions in a safe place and pass them on to any future owner.

# IMPORTANT SAFETY INSTRUCTIONS

---

## Use

- ▶ This range is intended for domestic use and use in other similar environments.
- ▶ This appliance is not intended for outdoor use.
- ▶ Use the range exclusively under normal domestic conditions:
  - Use the oven for baking, roasting, broiling, defrosting, canning and drying food.
  - Use the stovetop to prepare food and keep it warm.

Any other use is not permitted.

- ▶ Risk of Fire! Do not use this oven to store or dry combustible materials.
- ▶ Persons who lack physical, sensory or mental abilities, or experience with the appliance should not use it without supervision or instruction by a responsible person.

# IMPORTANT SAFETY INSTRUCTIONS

---

## Children

- ▶ Children must be kept away from the range unless constantly supervised.
- ▶ Please supervise any children in the vicinity of the range and do not let them play with the appliance.
- ▶ Burn hazard from improper use! Do not allow children to operate the oven.
- ▶ Danger of suffocation! Ensure that any plastic wrappings, bags, etc. are disposed of safely and kept out of the reach of children.
- ▶ Burn hazard!  
Keep the spaces above and behind the range clear of any items that could draw the attention of children. Otherwise, they can be tempted into climbing onto the appliance.
- ▶ Danger of injury. Never allow children to hang or lean on any part of the appliance.



# IMPORTANT SAFETY INSTRUCTIONS

---

## Technical safety

- ▶ Installation, repair and maintenance work should be performed by a Miele authorized service technician in accordance with national and local safety regulations and the provided installation instructions. Contact Miele's Technical Service Department for examination, repair or adjustment. Repairs and other work by unauthorized persons could be dangerous and may void the warranty.
- ▶ Do not carry or lift the range by the oven door handle or the control panel!
- ▶ Check whether the anti-tip device is properly installed and locked into place (see "Anti-tip device"):
  - The anti-tip device must be fastened to the floor or wall with suitable screws.
  - You must be able to feel that the locking latch is engaged in the bolt of the anti-tip device.
- ▶ Slide the range's locking latch into place on the anti-tip device. The locking latch must be noticeably engaged with the bolt of the anti-tip bracket.
- ▶ A damaged range can be dangerous. Always check for visible signs of damage. Never use a damaged appliance.
- ▶ Reliable and safe operation of the range can only be guaranteed if it is connected to the public power supply.
- ▶ The electrical safety of the range can only be guaranteed when it is properly grounded. Compliance with this essential safety requirement is absolutely mandatory. If in any doubt, please have the building's wiring system inspected by a qualified electrician.
- ▶ To avoid damaging the range, make sure that the connection data (voltage and frequency) on the data plate correspond to the building's power supply before connecting the appliance. When in doubt, consult a qualified electrician.

## IMPORTANT SAFETY INSTRUCTIONS

---

- ▶ During installation, maintenance and repair work, e.g. if the oven lighting is broken (see "Frequently asked questions"), the range must be completely disconnected from the household electricity supply. The gas supply must be shut off. Ensure that this is the case by:
  - removing the fuse,
  - "tripping" the circuit breaker, or
  - unplugging the unit. Pull the plug not the cord.
  - Shut off the gas supply and, if necessary, disconnect the range from the gas line. Installation and maintenance of the gas connection must be performed by qualified installers, service agencies or gas providers.
- ▶ Do not use a power strip or extension cord to connect the range to electricity. These are a fire hazard and do not guarantee the required level of appliance safety.
- ▶ Any contact with live connections or tampering with the electrical or mechanical components of the range will endanger your safety and may lead to appliance malfunctions.  
Do not open the appliance housing under any circumstances.
- ▶ This appliance must not be installed and operated in mobile installations (e.g. on a ship).
- ▶ Any repairs not performed by a Miele authorized service technician will void the warranty.
- ▶ Defective components should be replaced by Miele original parts only. Only with these parts can the manufacturer guarantee the safety of the appliance.
- ▶ Risk of electric shock! If the ceramic surface of the stovetop is defective or chipped, cracked or broken in any way, immediately switch the stovetop off and do not continue to use it. Disconnect the range from the power supply and contact Miele Technical Service.

## IMPORTANT SAFETY INSTRUCTIONS

---

- ▶ In order for the range to function properly, it requires an adequate supply of cool air. Ensure that the air flow is not impaired. Also be sure that the cool air supply is not excessively heated by other heat sources (e.g. solid fuel stoves).
- ▶ If the range is installed behind a cabinet door, do not close the door while the appliance is in operation. Heat and moisture can build up behind the closed door and cause damage to the range and to the surrounding cabinets and flooring. Do not close the door until the appliance has completely cooled down.
- ▶ Do not install kitchen cabinets above the range, since reaching over a hot stovetop to access the cabinets can result in burns. If it is necessary to install cabinets, you can reduce the risk of burns by installing a range hood that extends at least 4 3/4" (12 cm) past the bottom of the cabinets.
- ▶ The water shutoff valve must be accessible after the range has been installed.
- ▶ The integrated Waterproof System offers protection against water damage if the following conditions are met:
  - The range is properly installed (connected to electric and water supply).
  - The range is repaired immediately whenever damage is detected.
  - The water supply is shut off during extended periods of non-use (e.g. vacation).
- ▶ Hard water, water containing minerals and water from reverse osmosis filtering systems can damage the range. Only use filtered, softened and demineralized water from the building's plumbing to supply the range.

# IMPORTANT SAFETY INSTRUCTIONS

---

## Preparing your appliance for an extended vacation

▶ If you elect to turn off the water to your home for an extended period of time, please note that this may not be enough to reduce the risk of a leak. To be completely safe, you must turn off the water supply to each individual appliance.

## Cleaning and care

- ▶ Do not use a steam cleaner to clean the range. The steam may reach electrical components and cause a short circuit.
- ▶ Only clean parts listed in these Operating and Installation Instructions.
- ▶ Scratches on the door glass can cause the glass to break. Do not use abrasive cleaners, hard sponges, brushes or sharp metal tools to clean the door glass.
- ▶ The shelf runners can be removed for cleaning purposes (see "Cleaning and care"). Ensure they are correctly fitted after cleaning and never operate the oven without the shelf runners inserted.
- ▶ There is a seal around the oven interior which seals the inside of the door. Take care not to rub, damage or move the gasket.
- ▶ Do not use oven cleaners. Commercial oven cleaners or oven liners of any kind should not be used in or around any part of the oven.
- ▶ Debris should be removed before running the Self Clean program. If not removed this debris can smoke causing the self-cleaning program to turn itself off.

**SAVE THESE INSTRUCTIONS AND REVIEW THEM PERIODICALLY**

## Model numbers

A list of the ovens described in these operating instructions can be found on the back page.

## Data plate

The data plate is behind the toe-kick. The toe-kick cover is attached to the base of the range by magnets so it can be removed and put back again easily.

There you can find the model number, the serial number and the connection data (voltage/frequency/maximum rated load) for your range.

Have this information available when contacting Miele Technical Service.

## Distance to the range hood

The minimum clearance between the appliance and a range hood above will be listed by the hood manufacturer.

If there is more than one appliance installed below the range hood, each with a different safety clearance, the largest clearance must be used.

## Items included with this range

The range is supplied with:

- Installation Instructions,
- Multiple operating instructions (depending on model) for:
  - Electric Range
  - Induction Range
  - Convection Oven
  - Gas Cooktop
  - Gas Convection Oven
  - Speed Oven
  - Warming Drawer
- an anti-tip device including screws for fastening the range,
- various accessories.

# Notes on installation

---

## Toe-kick and drop guard

### 30" and 36" range

The components are located in the packaging of the range.

### 48" range

The components are already mounted.

## Installation of the toe-kick

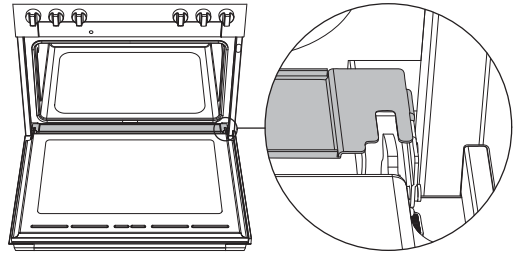
The toe-kick has sheet metal lugs and magnets by means of which it can be positioned and attached to the base of the range.

- Position the toe-kick in such a way that the sheet metal lugs are facing the provided holes in the base.
- Push the toe-kick onto the base of the range until it audibly locks into place.

## Installation of the drop guard

The drop guard covers the gap between the oven cavity and the door.

- Open the oven door.

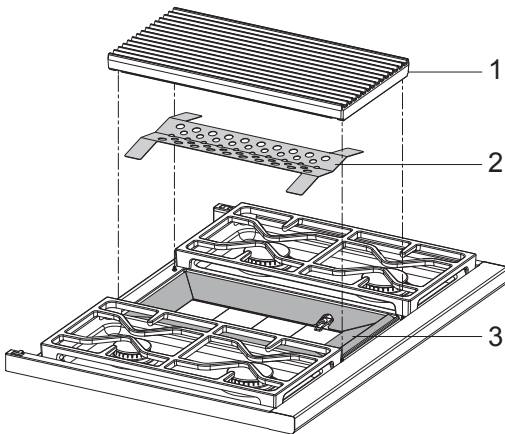


- Lay the drop guard over the gap between the oven cavity and the door.
- Close the oven door.

## Assembling the grill

**⚠ Burn hazard!**  
The burners must be turned off and allowed to cool completely.

**⚠ Risk of injury!**  
The cast-iron grill is heavy.  
Carry the grill carefully and place it securely on a soft base so that it lies flat.

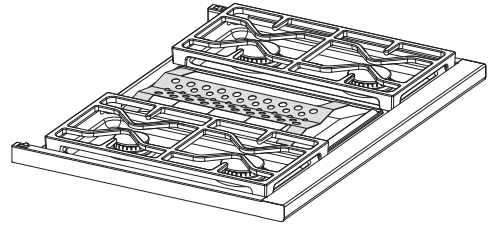


① Grill

② Grease tray

③ Frame

- Using a soft sponge, clean grease tray ② with a solution of warm water and a small amount of liquid dish soap. Dry the parts thoroughly after cleaning.
- Remove the grill ① from the gas cooktop.
- Place the grease tray ② on top of the frame ③.



- Place the grill ① into position.

## Cleaning and care

**Tip:** All parts can be disassembled in the reverse order. You can also remove the frame for cleaning.

# Notes on installation

## Optional accessories

All accessories and cleaning products listed in these instructions are designed to be used with the Miele range.

These can be ordered from the Miele website (see end of this booklet for contact details).

When ordering, please have your model number available.

## RBGAG All Gas Backguard/RBGDF Dual Fuel Backguard

Depending on the model, you can exchange the existing island trim of your appliance for a larger range backguard. The backguard is available in the following heights: 12" (305 mm) and 20" (508 mm).

## Mounting the RBGDF Dual Fuel Backguard

The rear of the range must be accessible.

Mount the backguard before installing the anti-tip device and connecting of the range.

- Loosen the screws of the island trim.
- Pull back the island trim slightly until it can be removed.

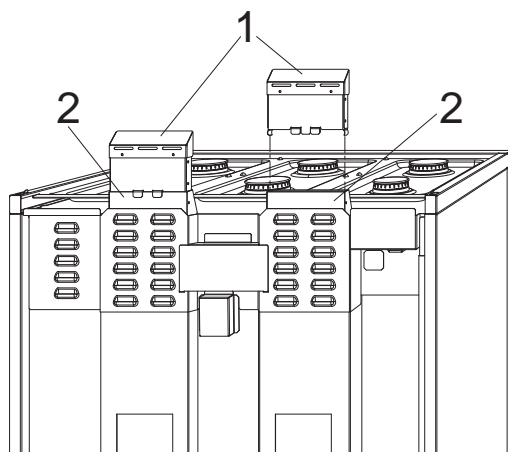
The backguard can be **installed** in reverse order.

## Mounting the RBGAG All Gas Backguard

The rear of the range must be accessible.

Mount the backguard before installing the anti-tip device and connecting the range.

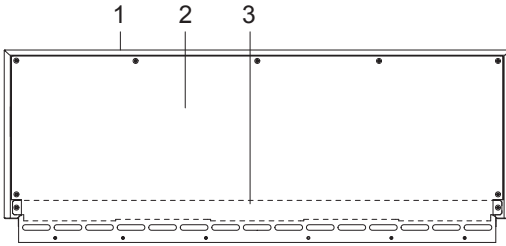
- Loosen the screws of the island trim.
- Pull back the island trim slightly until it can be removed.



- ① Extender
  - ② Air ducts
- Insert one extender ① onto each of the left and right air ducts ②.
  - Screw the extenders ① into place with 2 screws each.



## Notes on installation

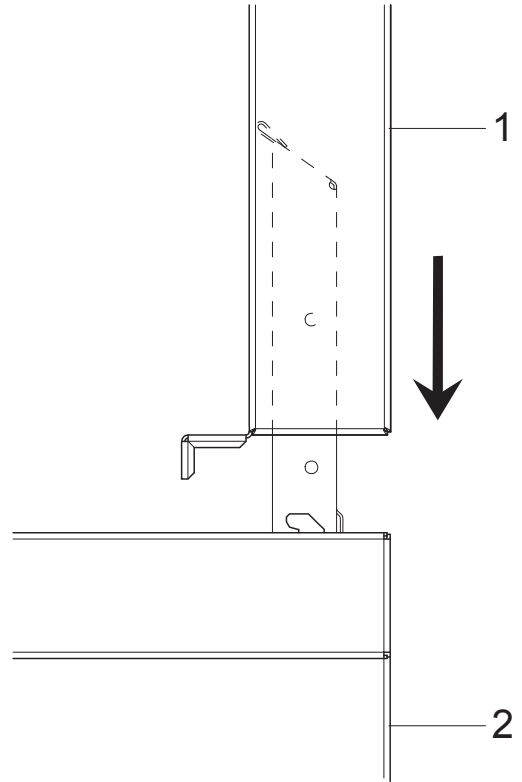


① Backguard

② Rear panel backguard

③ Inside panel

- Place the backguard ① face down on a soft surface to avoid scratching. The lower edge should line up with the edge of the table, so that the backguard lies flat.
- Loosen the screws on the back of backguard.
- Remove the rear panel ② and the inner panel ③.



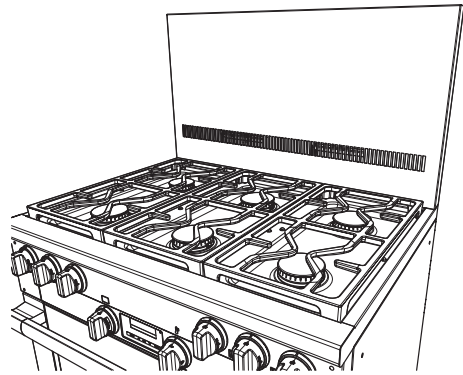
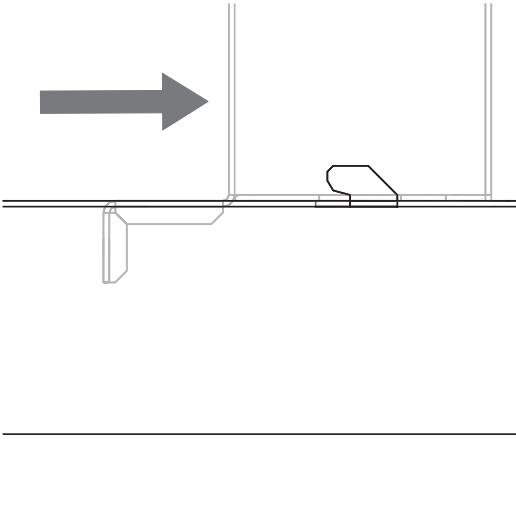
① Backguard

② Range

- Slide the backguard ① from above on the air duct extenders.

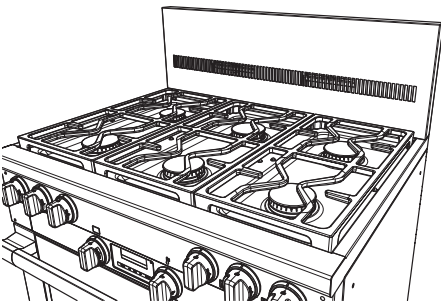
## Notes on installation

---



20" Backguard

- Once the backguard is placed on the range push the backguard backwards.
- Mount the inner panel and the rear panel on the backguard using the screws provided.
- Mount the backguard on the range using the screws provided.



12" Backguard

### **RBS Backsplash**

The backsplash is intended for mounting to a Miele range hood. Observe the installation instructions of the Miele range hood.

### **XKM 3000 W Remote Vision**

Depending on the model, the range maybe compatible with RemoteVision™.

In order to use the RemoteVision™ monitoring service, you will require a XKM 3000 W Communication Module. Refer to the Operating and Installation Instructions of the Miele XKM 3000 W Communication Module.

## Notes on installation

---

Do not carry or lift the range by the oven door handle or the control panel!

The range is heavy.

Due to the size and weight of the appliance, installation should be performed by two people.

The net weight of the range with accessories is as follows:

<b>Model</b>	<b>Width</b>	<b>Net weight incl. accessories:</b>
<b>HR 1421</b> <b>HR 1622</b> <b>HR 112x</b> <b>HR 192x</b>	29 15/16" (760 mm)	approx. 307 lbs (140 kg)
<b>HR 113x</b> <b>HR 193x</b>	35 15/16" (913 mm)	approx. 405 lbs (180 kg)
<b>HR 195x</b>	47 15/16" (1218 mm)	approx. 573 lbs (260 kg)

## Installation location

This appliance is not intended for outdoor use.  
Ranges with a connection to the water supply should not be installed in rooms where there is a risk of freezing temperatures.

The floor of the space where the appliance is to be installed must be flat, level and made of a strong, rigid material.

Because the range is heavy and requires attachment of the anti-tip device supplied, the surface must be able to fully bear the load of the appliance. If necessary, seek the advice of an architect or construction expert.

## Ventilation

The air intake and outlet openings must not be covered or blocked in any way. They should be dusted on a regular basis.

## Required connections

Model	Electrical connection	Gas connection	Plumbing
HR 1421	X	–	–
HR 1622	X	–	X
HR 112x HR 113x	X	X	–
HR 192x HR 193x HR 195x	X	X	X

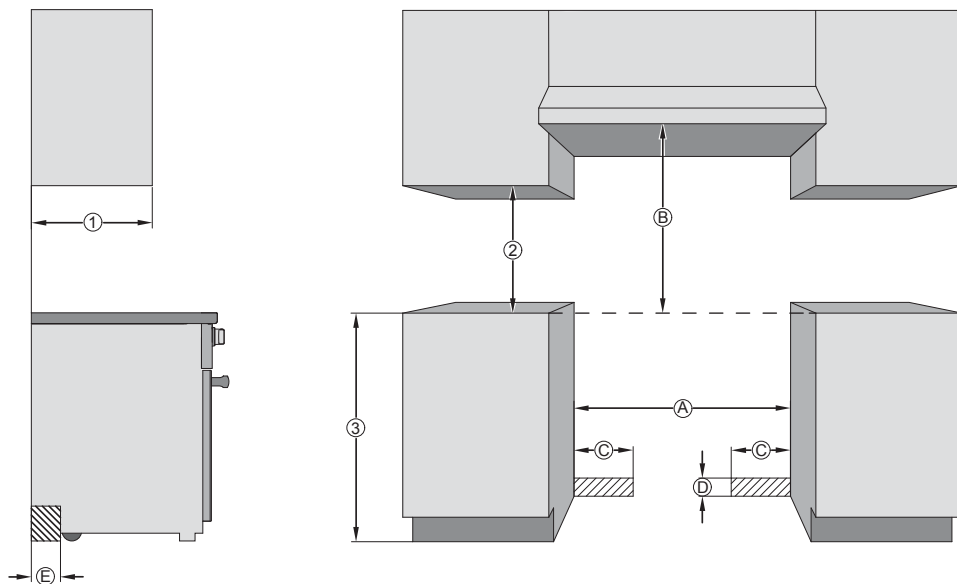
X Connection required

– Connection not provided

# Electric Range dimensions

---

HR 1421; HR 1622



# Electric Range dimensions

## HR 1421; HR 1622

Position	Dimension	Description	
①	13" (330 mm)	Maximum depth of top cabinet	
②	18" (547 mm)	Minimum distance to bottom edge of top cabinet	
③	35 1/2"-37" (901 - 940 mm)	Distance from floor to cooktop surface	
Ⓐ	min. 30" (762 mm)	Width of cabinet opening	
Ⓑ	30" (762 mm)	Minimum distance between the top of the cooking area and the bottom of an unprotected combustible surface.	
	or 24" (609 mm)	Minimum distance to a protected combustible surface or if a Miele Ventilation Hood is used.	
	For all other Hoods, please consult with manufacturer's instructions for required distances.		
Ⓒ	approx. 10 13/16" (274 mm)	Maximum connection width right and left	Location of wall receptacle
Ⓓ	approx. 4 1/2" (115 mm)	Maximum connection height	
Ⓔ	approx. 2 13/16" (72 mm)	Maximum connection depth	

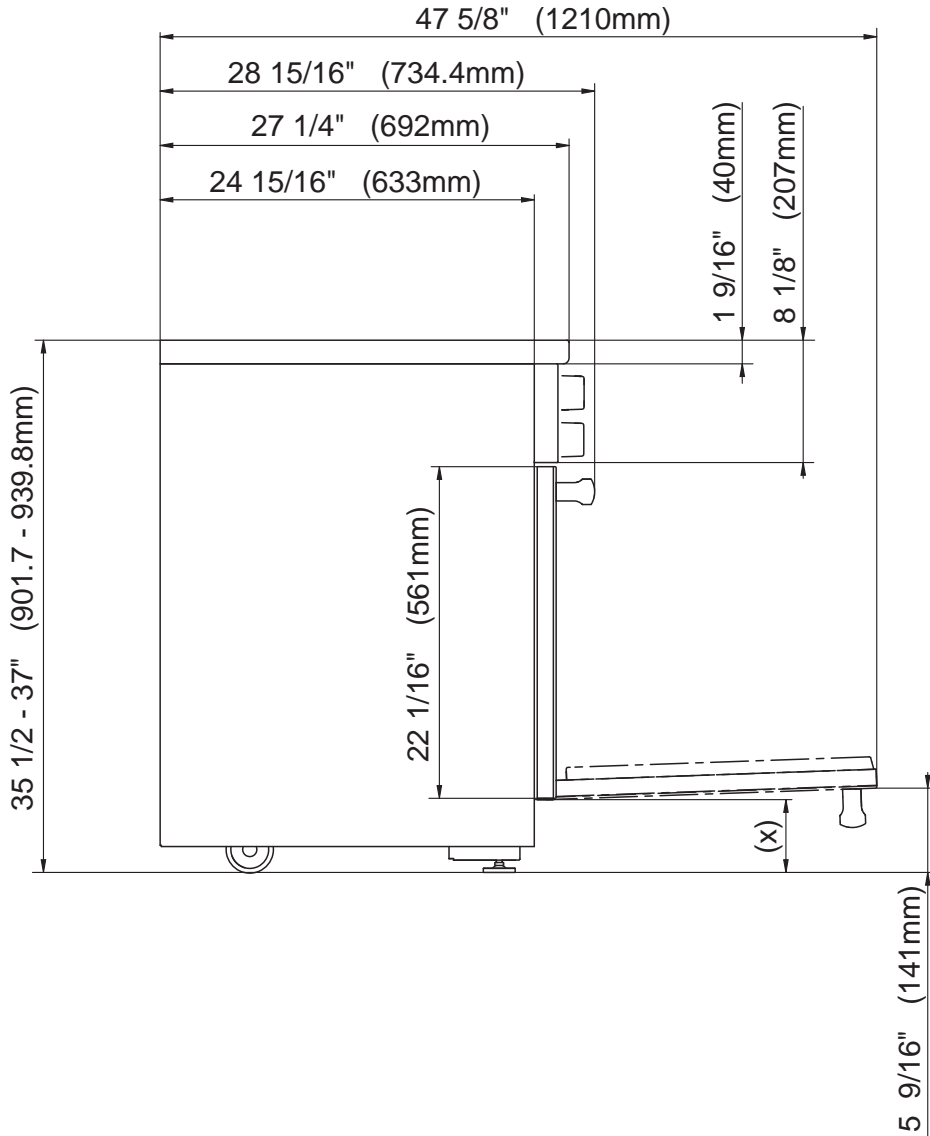
The hatched areas represent the installation areas for the connections.

12" (305 mm) minimum distance is necessary from back of range to combustible rear wall above countertop.

# Electric Range dimensions

## Detailed views of HR 1421

### Side view of HR 1421

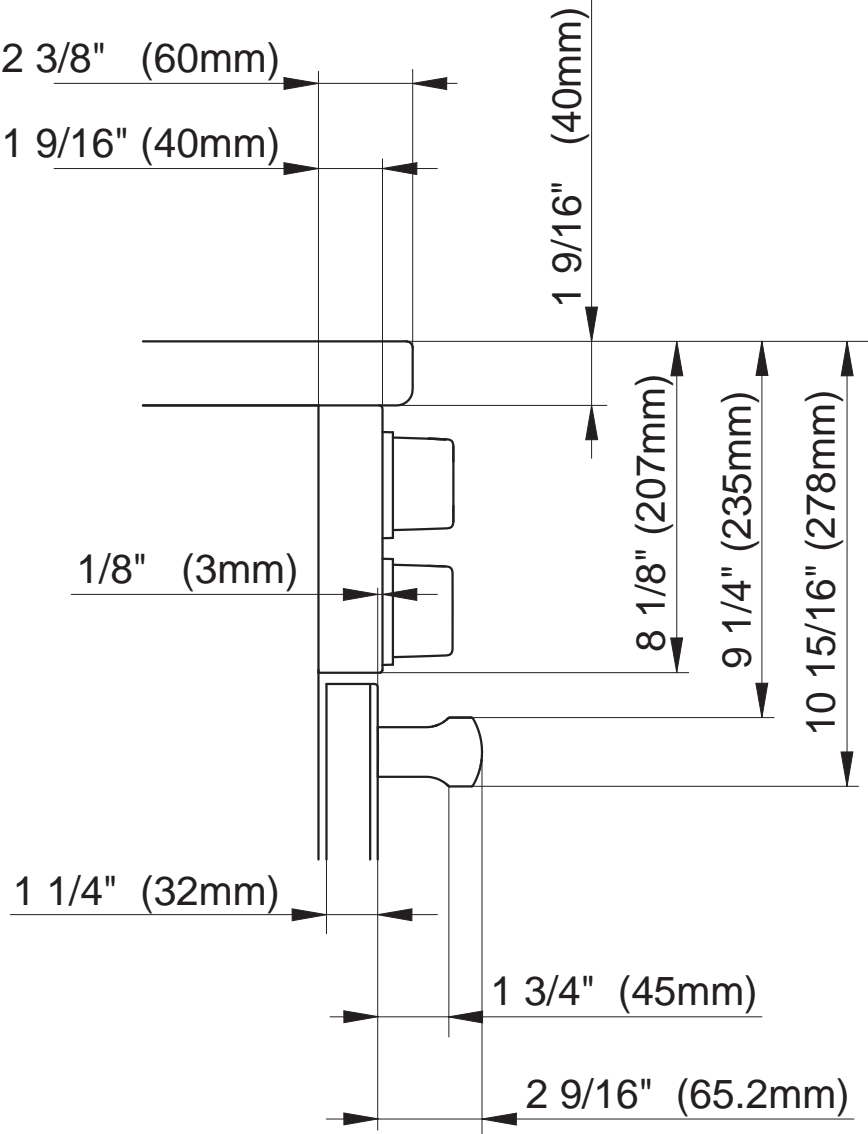


(x) = Depending on the appliance height adjustment: 4" - 5 1/2" (101.6 mm - 139.7 mm)



# Electric Range dimensions

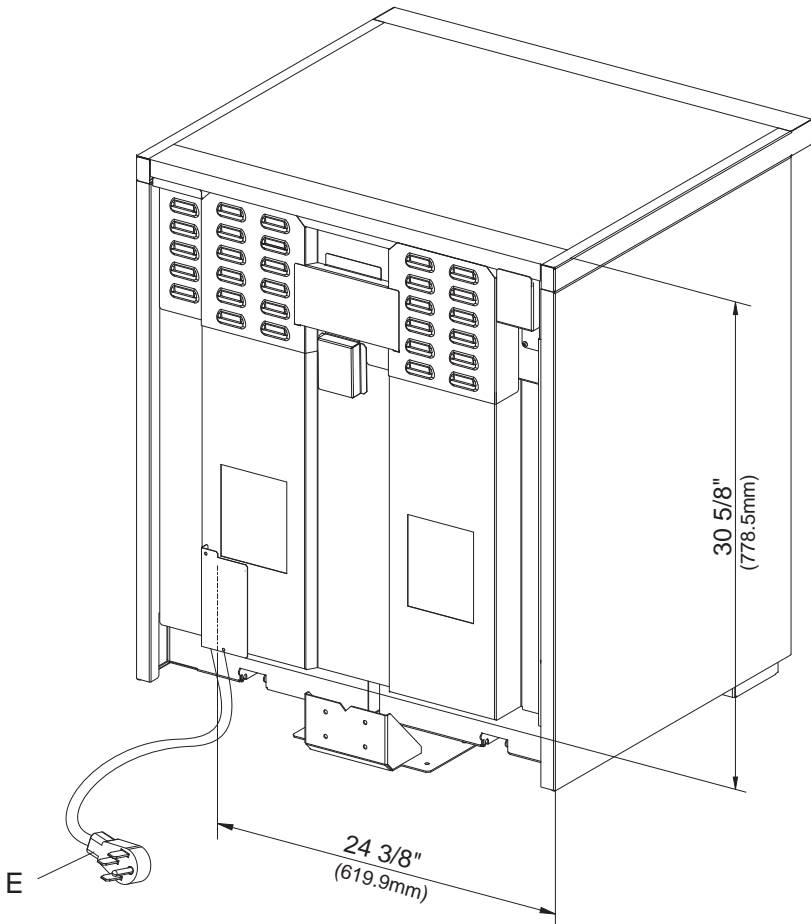
Detailed front side view of HR 1421



# Electric Range dimensions

---

## Rear view of HR 1421

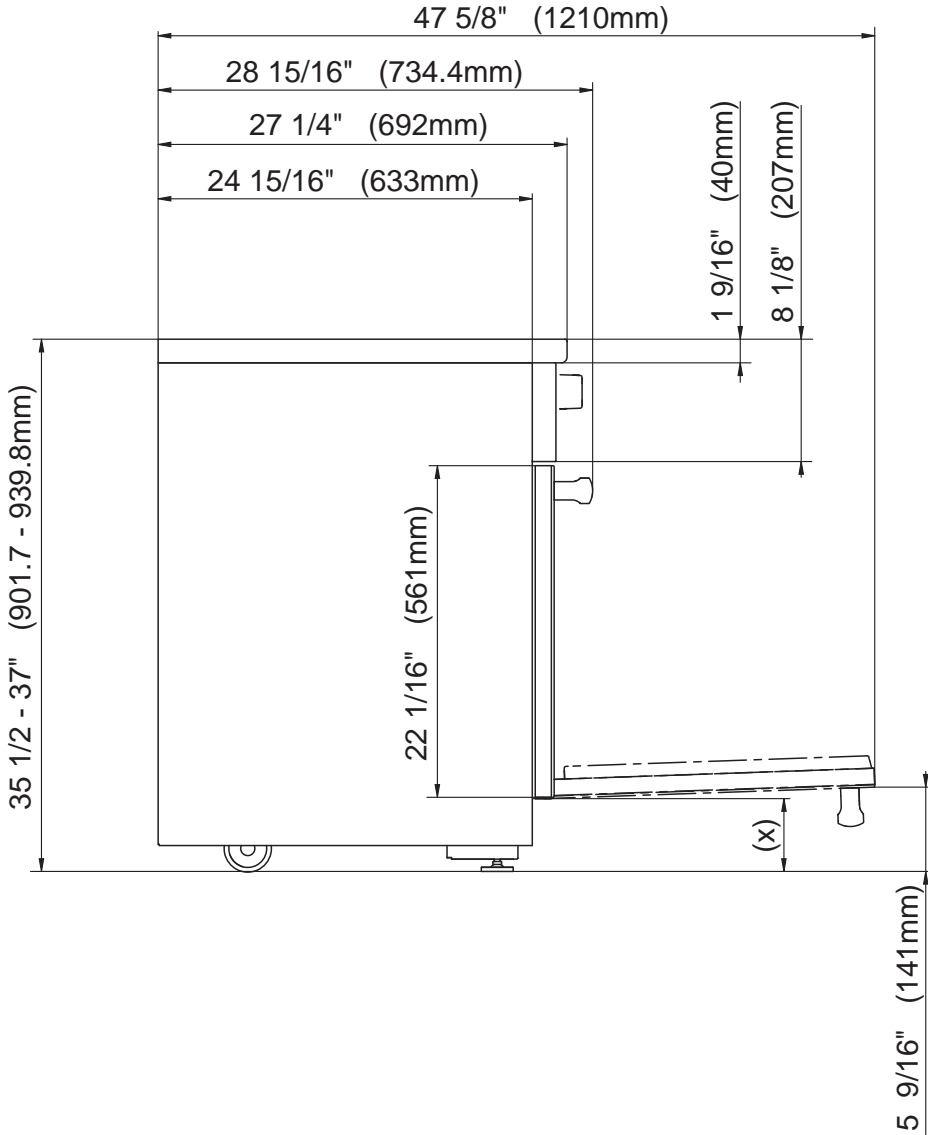


E = Electrical connection

# Electric Range dimensions

## Detailed views of HR 1622

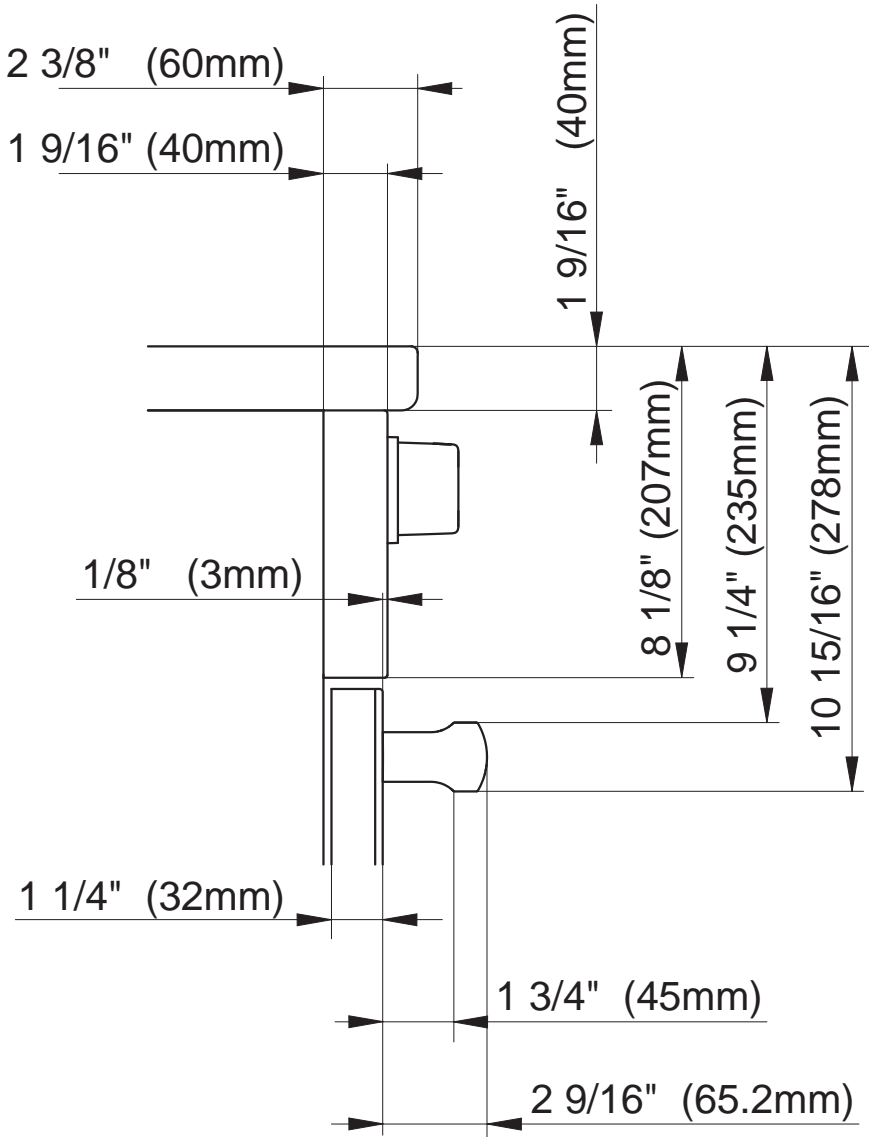
### Side view of HR 1622



(x) = Depending on the appliance height adjustment:  $4'' - 5 \frac{1}{2}''$  (101.6 mm - 139.7 mm)

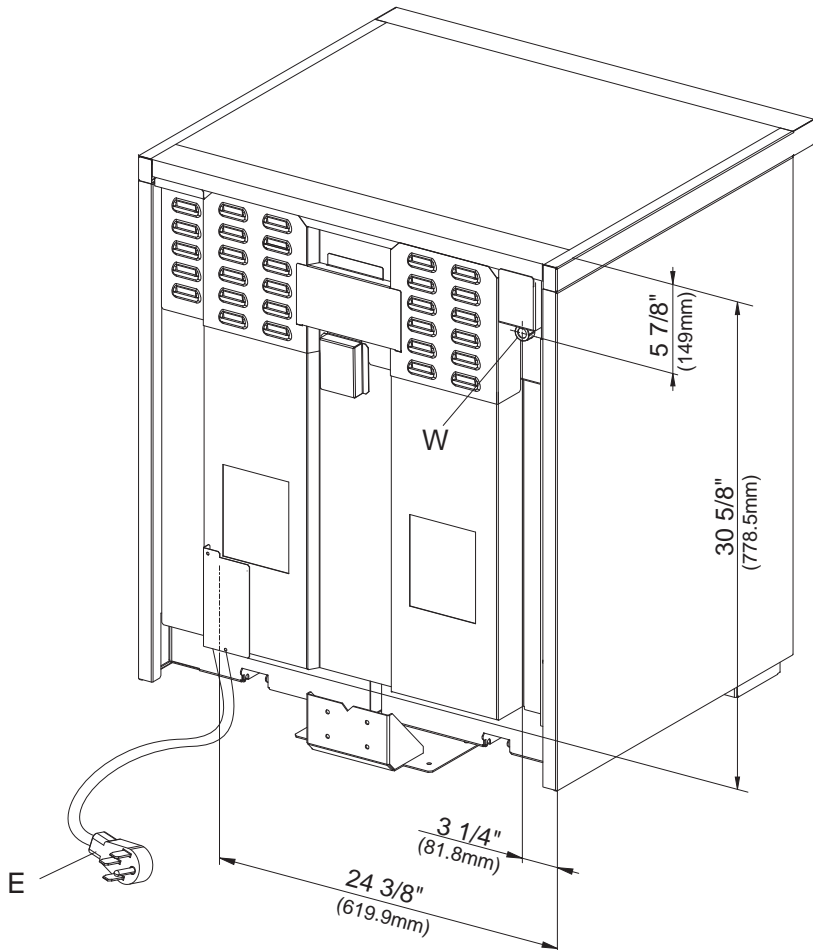
# Electric Range dimensions

## Detailed front side view of HR 1622



# Electric Range dimensions

## Rear view of HR 1622

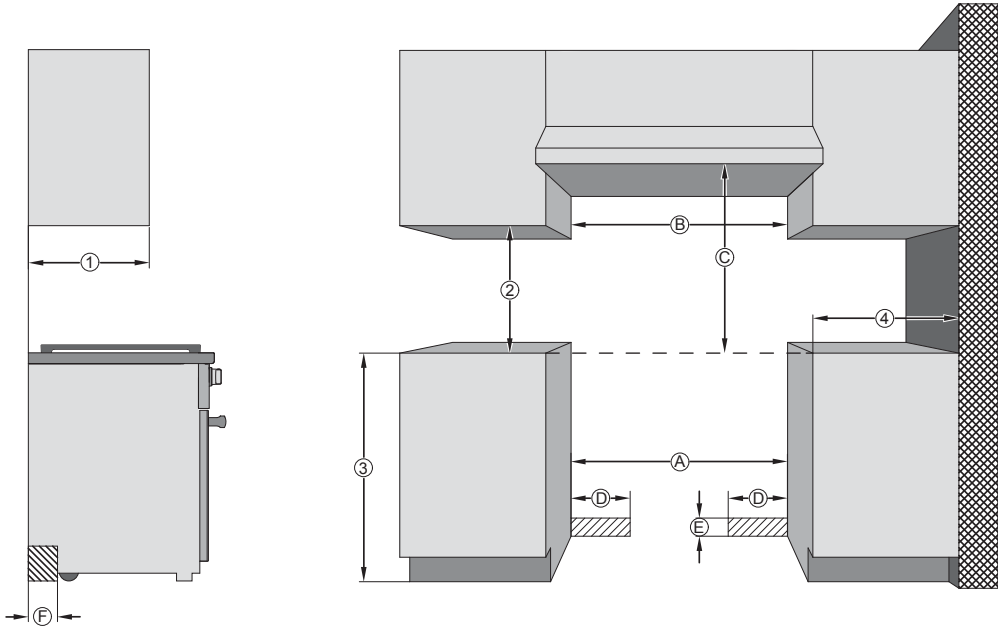


E = Electrical connection

W = Water connection

# All Gas Range dimensions

## HR 1124, HR 1134, HR 1135, HR 1136



Ⓑ In case of combustible construction, an additional minimum clearance of 6" (each side) is necessary.

Position	Dimension	Description
①	13" (330 mm)	Maximum depth of top cabinet
②	18" (457 mm)	Minimum distance to bottom edge of top cabinet
③	35 1/2"–37" (901 - 940 mm)	Distance from floor to cooktop surface
④	10" (254 mm)	Minimum distance to combustible surfaces

# All Gas Range dimensions

## HR 1124

Position	Dimension	Description	
Ⓐ	min. 30" (762 mm)	Width of cabinet opening	
Ⓑ	6" + Ⓐ + 6"	In case of the presence of combustible material an additional minimum clearance of 6" (each side) is necessary. Ensure local codes are observed.	
Ⓒ	37" (940 mm)	Minimum distance between the top of the cooking area and the bottom of an unprotected combustible surface.	
	30" (762 mm)	Minimum distance between the top of the cooking area and the bottom of the Miele Range Hood (DAR model with DRxB XL Blower).	
	For all other Hoods, please consult with manufacturer's instructions for required distances.		
Ⓓ	approx. 10 13/16" (274 mm)	Maximum connection width right and left	Location of wall receptacle
Ⓔ	approx. 4 1/2" (115 mm)	Maximum connection height	
Ⓕ	approx. 2 13/16" (72 mm)	Maximum connection depth	

# All Gas Range dimensions

## HR 1134

Position	Dimension	Description	
Ⓐ	min. 36" (914 mm)	Width of cabinet opening	
Ⓑ	6" + Ⓐ + 6"	In case of the presence of combustible material an additional minimum clearance of 6" (each side) is necessary. Ensure local codes are observed.	
Ⓒ	37" (940 mm)	Minimum distance between the top of the cooking area and the bottom of an unprotected combustible surface.	
	36" (914 mm)	Minimum distance between the top of the cooking area and the bottom of the Miele Range Hood (DAR model with DRxB XL Blower).	
	30" (762 mm)	Minimum distance between the top of the cooking area and the bottom of the Miele Range Hood (DAR model with DRxB XXL Blower).	
	For all other Hoods, please consult with manufacturer's instructions for required distances.		
Ⓓ	approx. 13 3/4" (350 mm)	Maximum connection width right and left	Location of wall receptacle
Ⓔ	approx. 4 1/2" (115 mm)	Maximum connection height	
Ⓕ	approx. 2 13/16" (72 mm)	Maximum connection depth	



## All Gas Range dimensions

### HR 1135, HR 1136

Position	Dimension	Description	
Ⓐ	min. 36" (914 mm)	Width of cabinet opening	
Ⓑ	6" + Ⓐ + 6"	In case of the presence of combustible material an additional minimum clearance of 6" (each side) is necessary. Ensure local codes are observed.	
Ⓒ	37" (940 mm)	Minimum distance between the top of the cooking area and the bottom of an unprotected combustible surface.	
	30" (762 mm)	Minimum distance between the top of the cooking area and the bottom of the Miele Range Hood (DAR model with DRxB XL or DRxB XXL Blower).	
	For all other Hoods, please consult with manufacturer's instructions for required distances.		
Ⓓ	approx. 13 3/4" (350 mm)	Maximum connection width right and left	Location of wall receptacle
Ⓔ	approx. 4 1/2" (115 mm)	Maximum connection height	
Ⓕ	approx. 2 13/16" (72 mm)	Maximum connection depth	

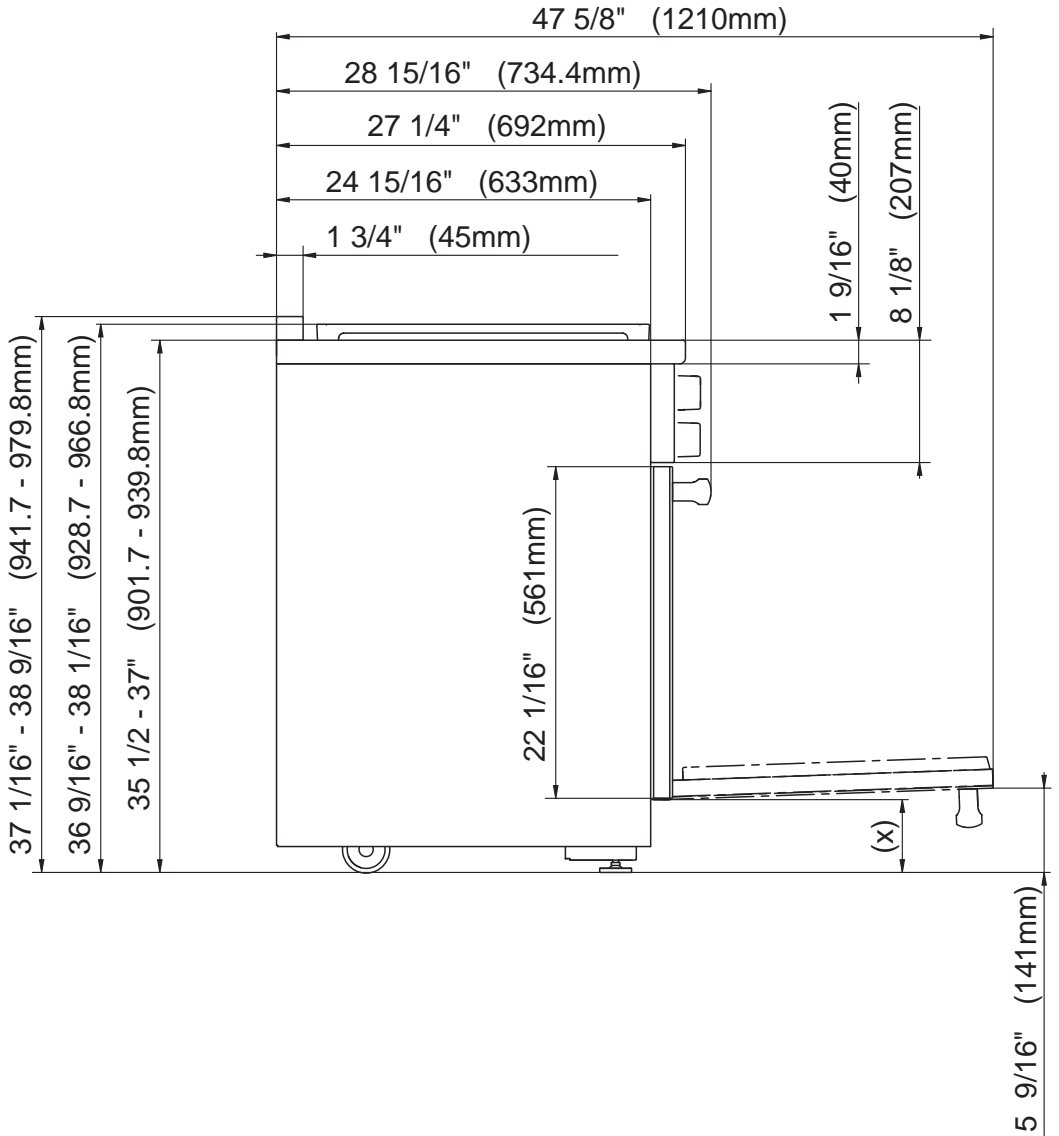
The hatched areas represent the installation areas for the connections.

12" (305 mm) minimum distance is necessary from back of range to combustible rear wall above countertop.

# All Gas Range dimensions

## Detailed views of HR 1124

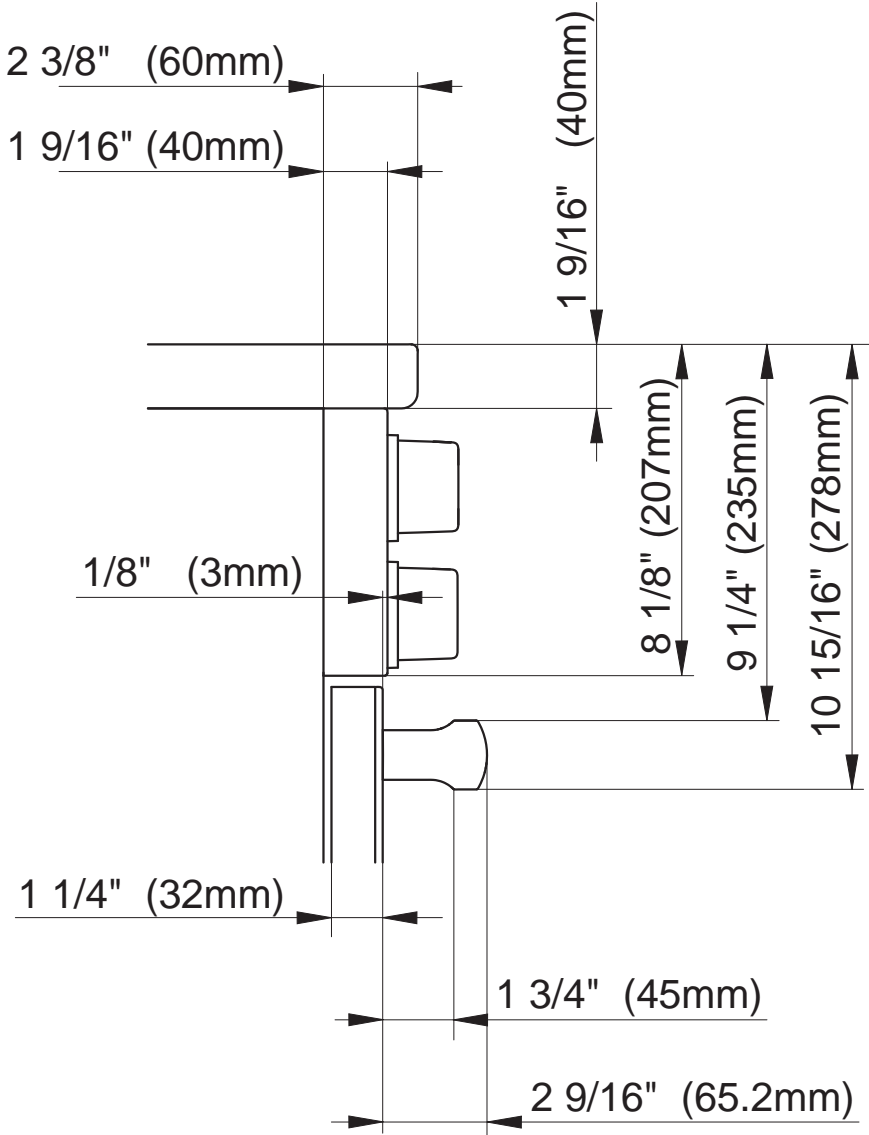
### Side view of HR 1124



(x) = Depending on the appliance height adjustment: 4" - 5 1/2" (101.6 mm - 139.7 mm)

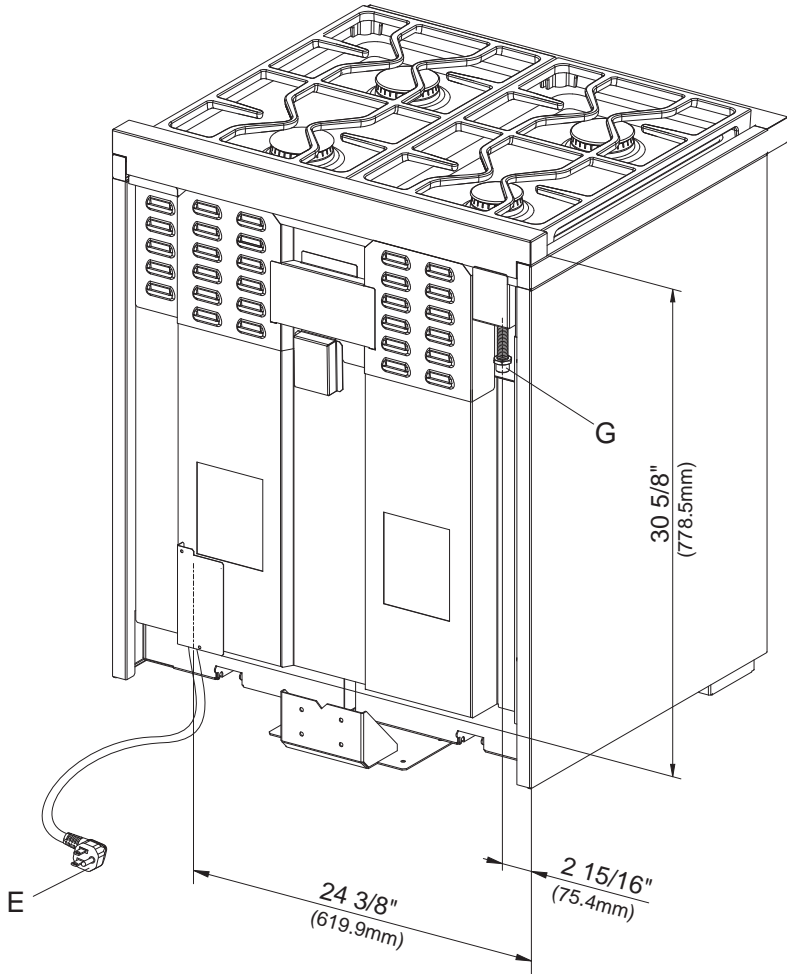
# All Gas Range dimensions

Detailed front side view of HR 1124



# All Gas Range dimensions

## Rear view of HR 1124



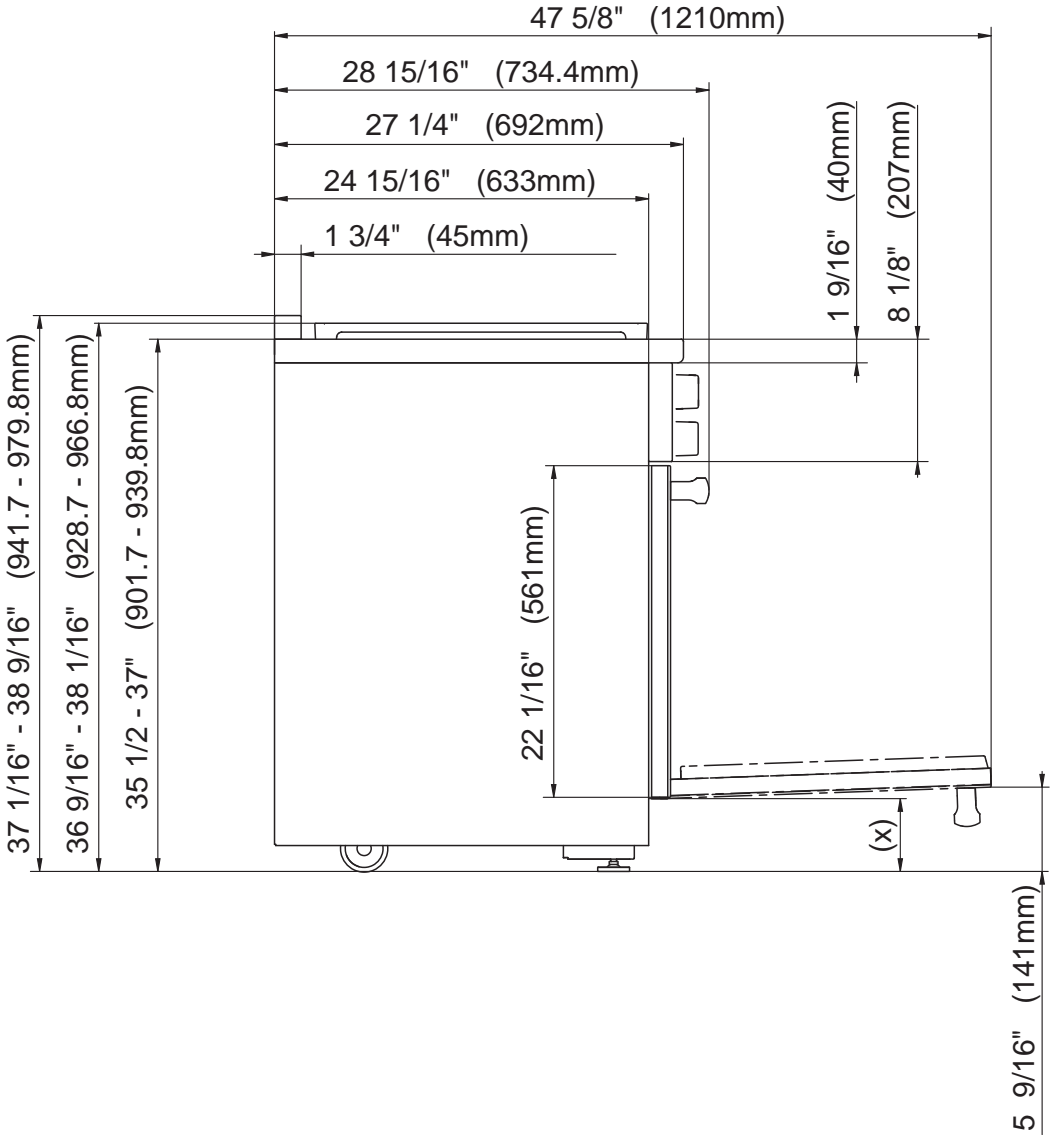
E = Electrical connection

G = Gas connection

# All Gas Range dimensions

## Detailed views of HR 1134

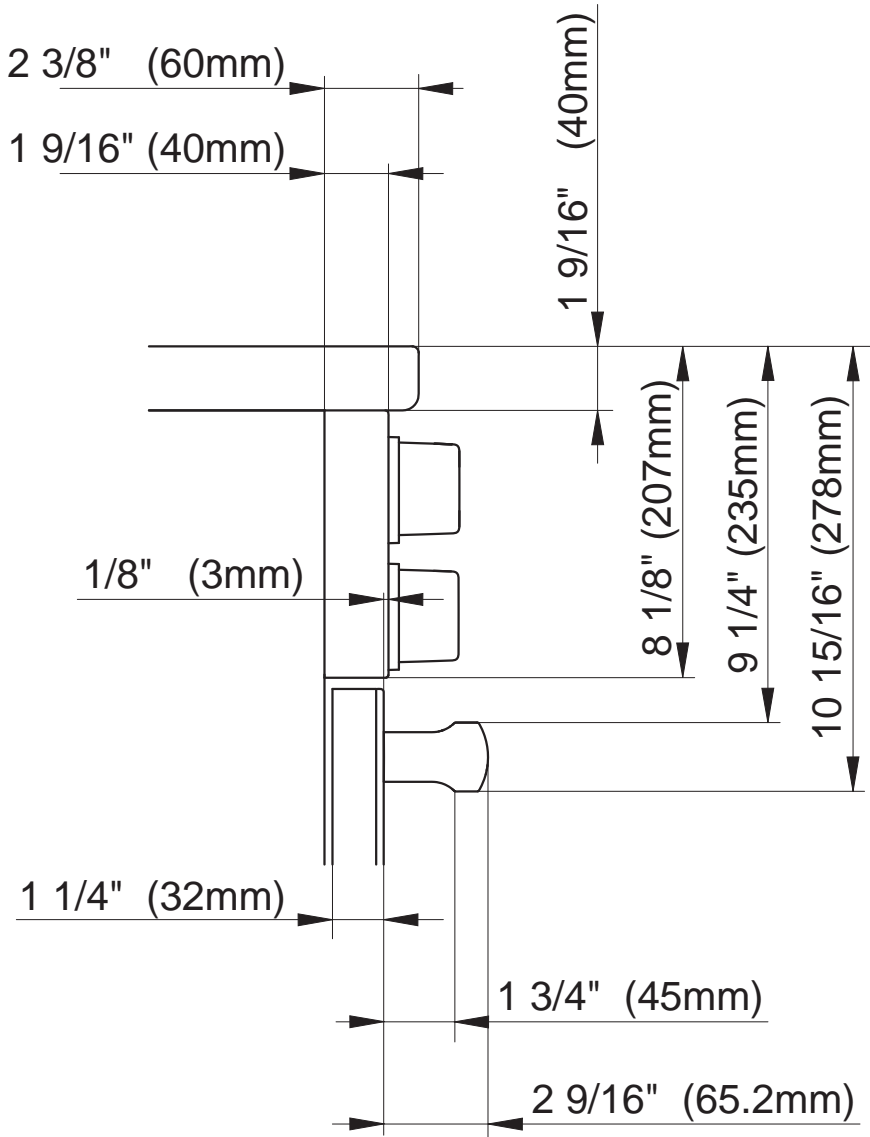
### Side view of HR 1134



(x) = Depending on the appliance height adjustment:  $4$ " -  $5 \frac{1}{2}$ " (101.6 mm - 139.7 mm)

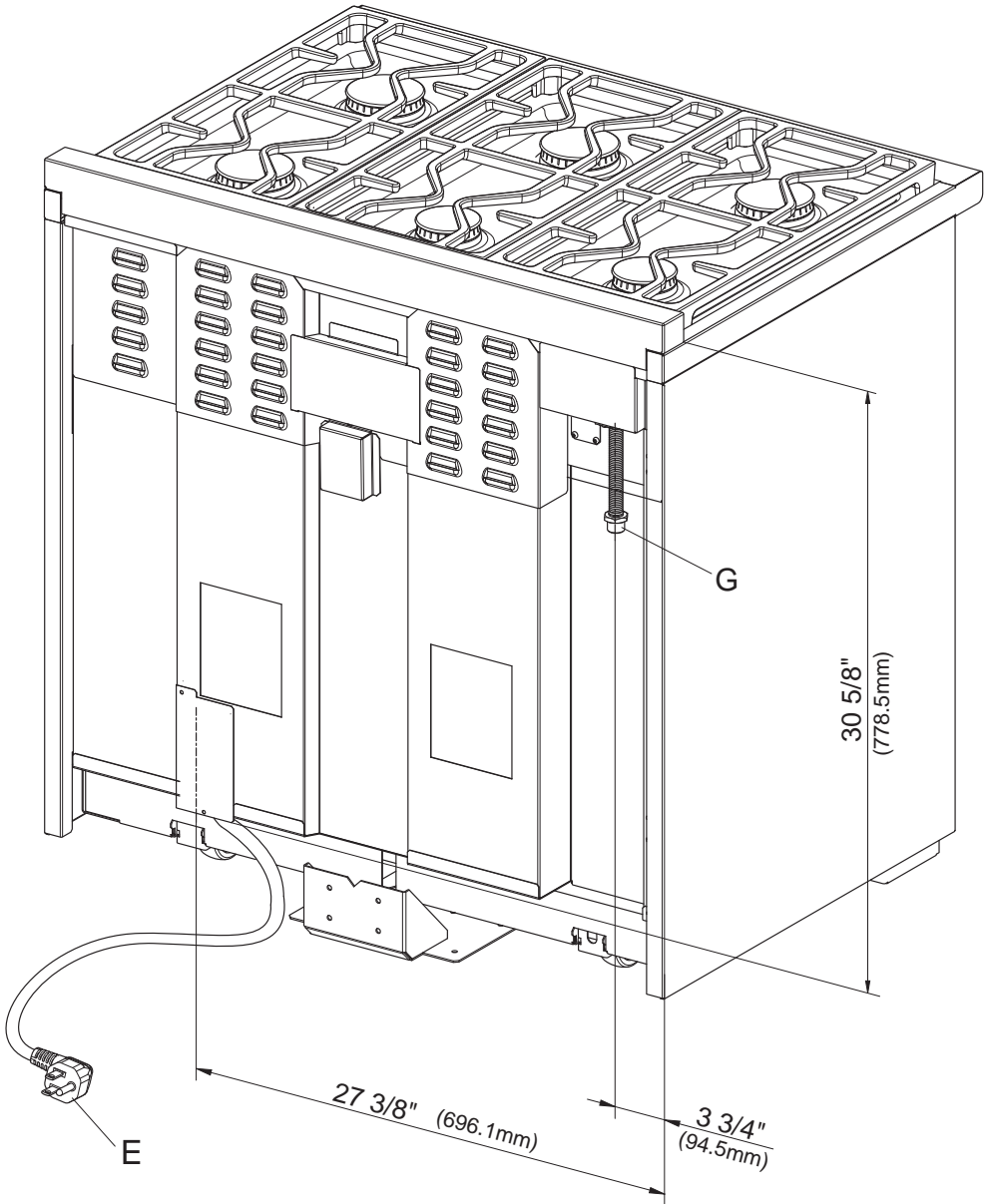
# All Gas Range dimensions

## Detailed front side view of HR 1134



# All Gas Range dimensions

## Rear view of HR 1134



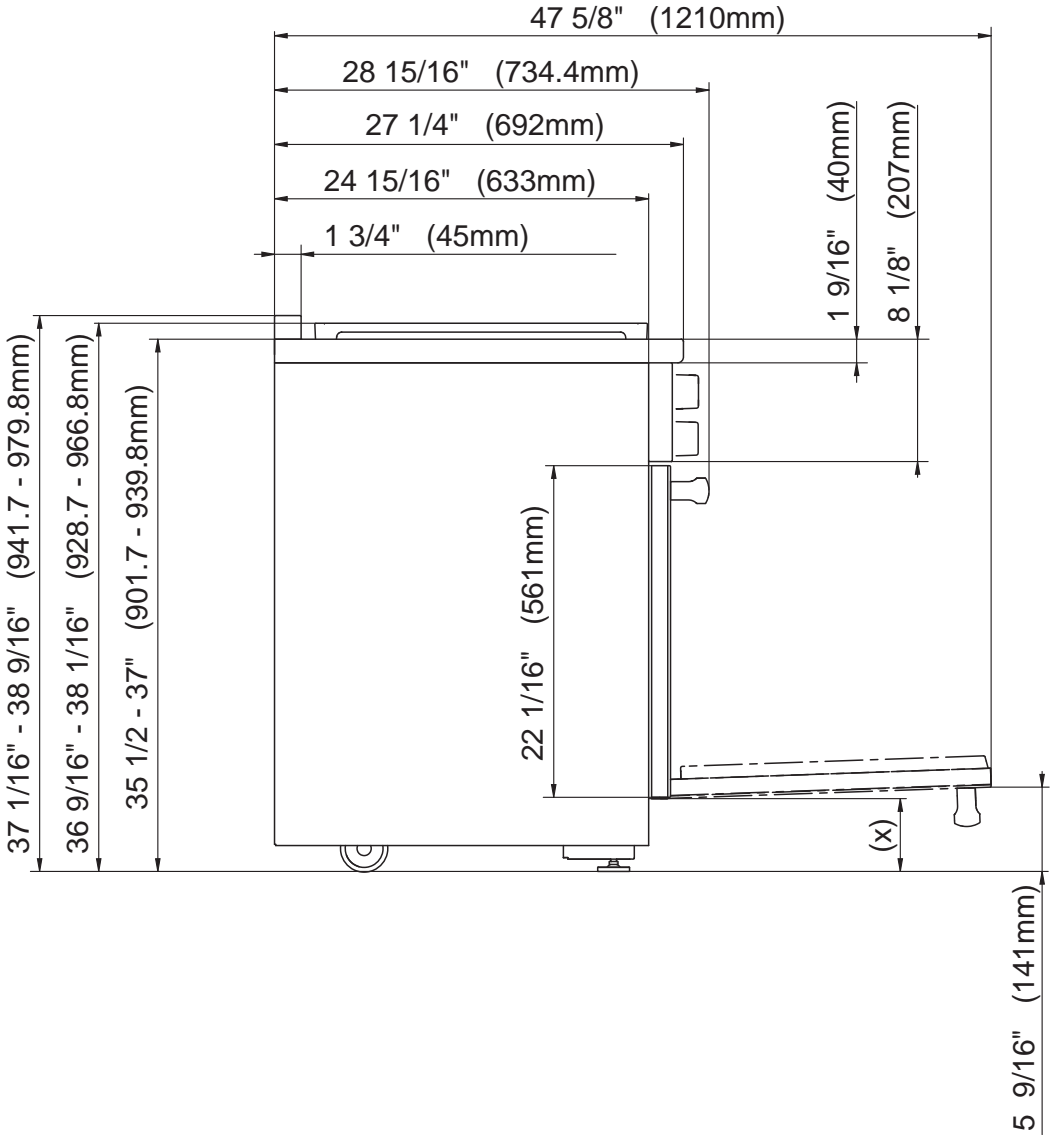
E = Electrical connection

G = Gas connection

# All Gas Range dimensions

## Detailed views of HR 1135

### Side view of HR 1135

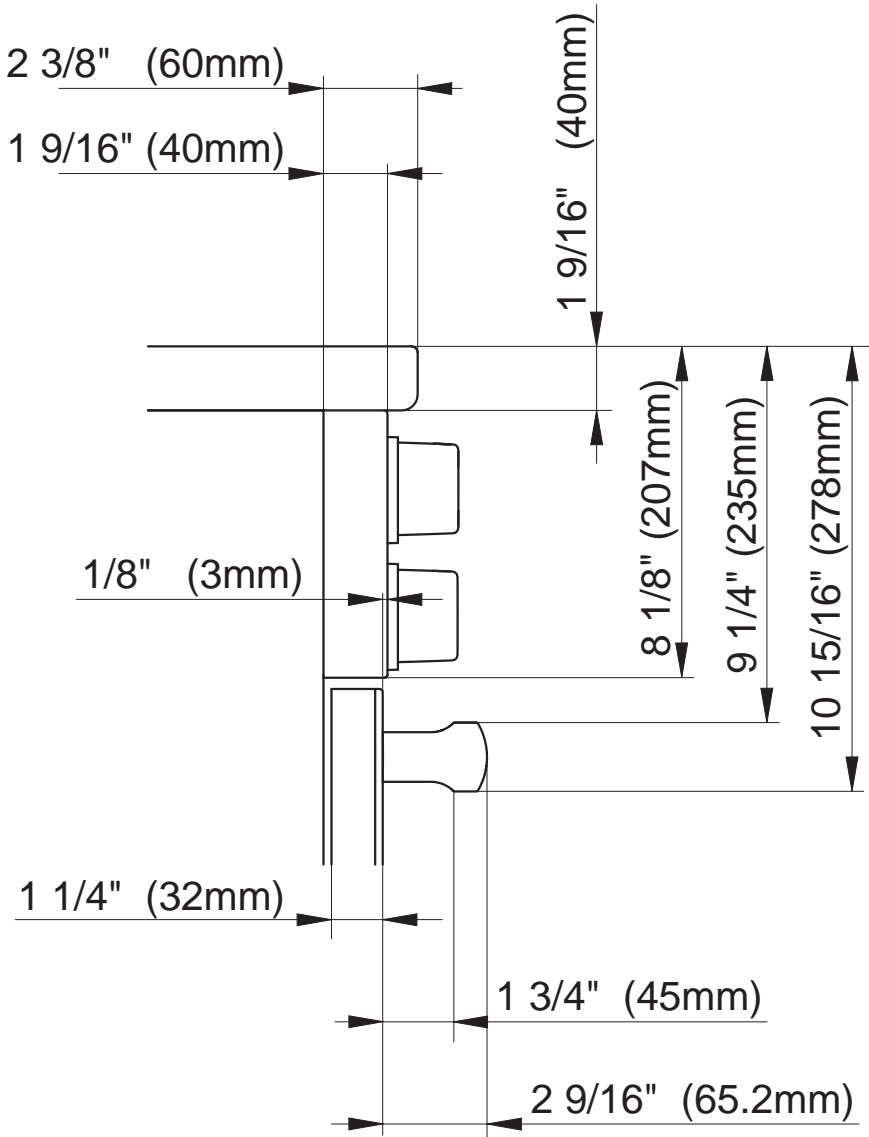


(x) = Depending on the appliance height adjustment: 4" - 5 1/2" (101.6 mm - 139.7 mm)



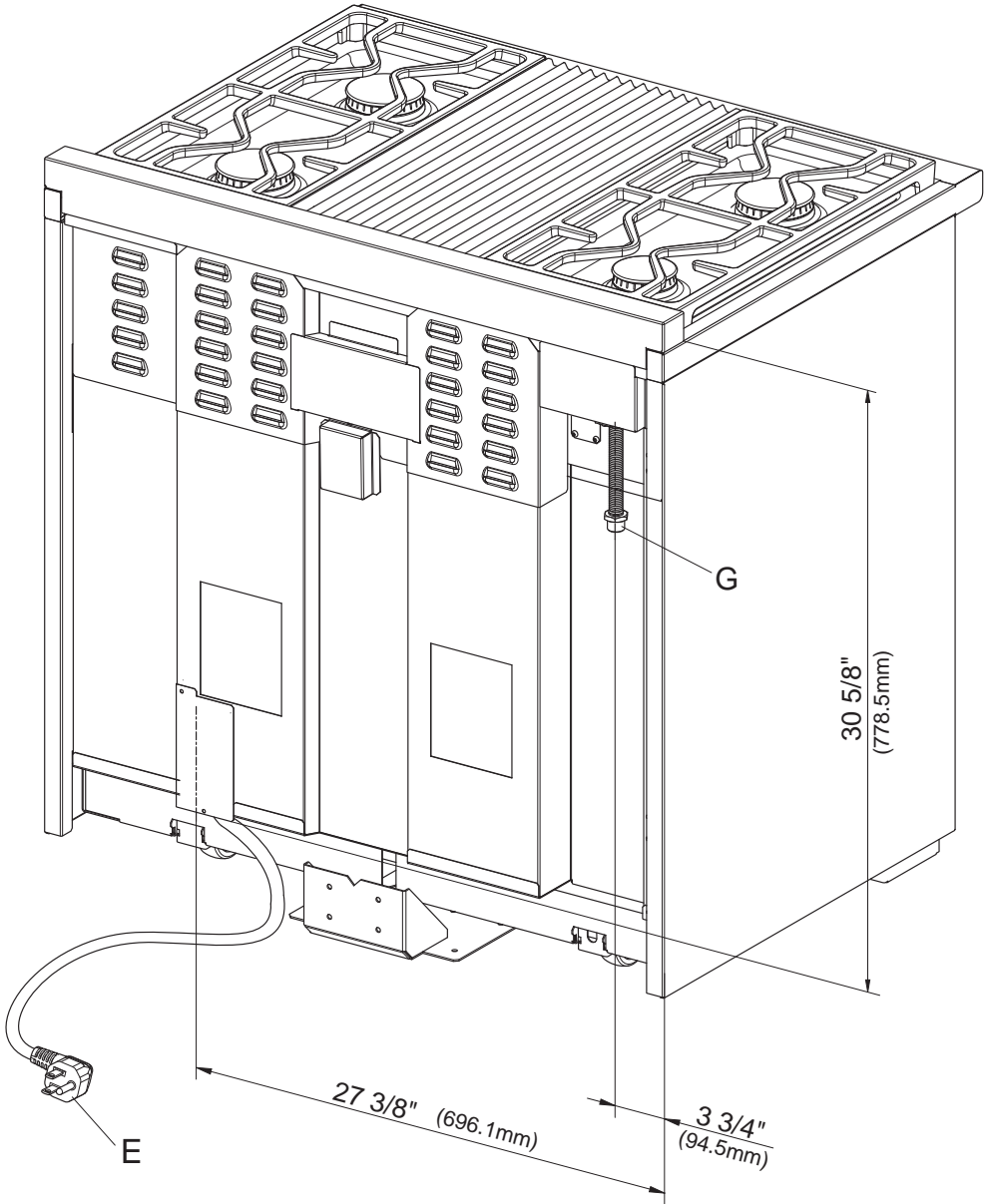
# All Gas Range dimensions

Detailed front side view of HR 1135



# All Gas Range dimensions

## Rear view of HR 1135



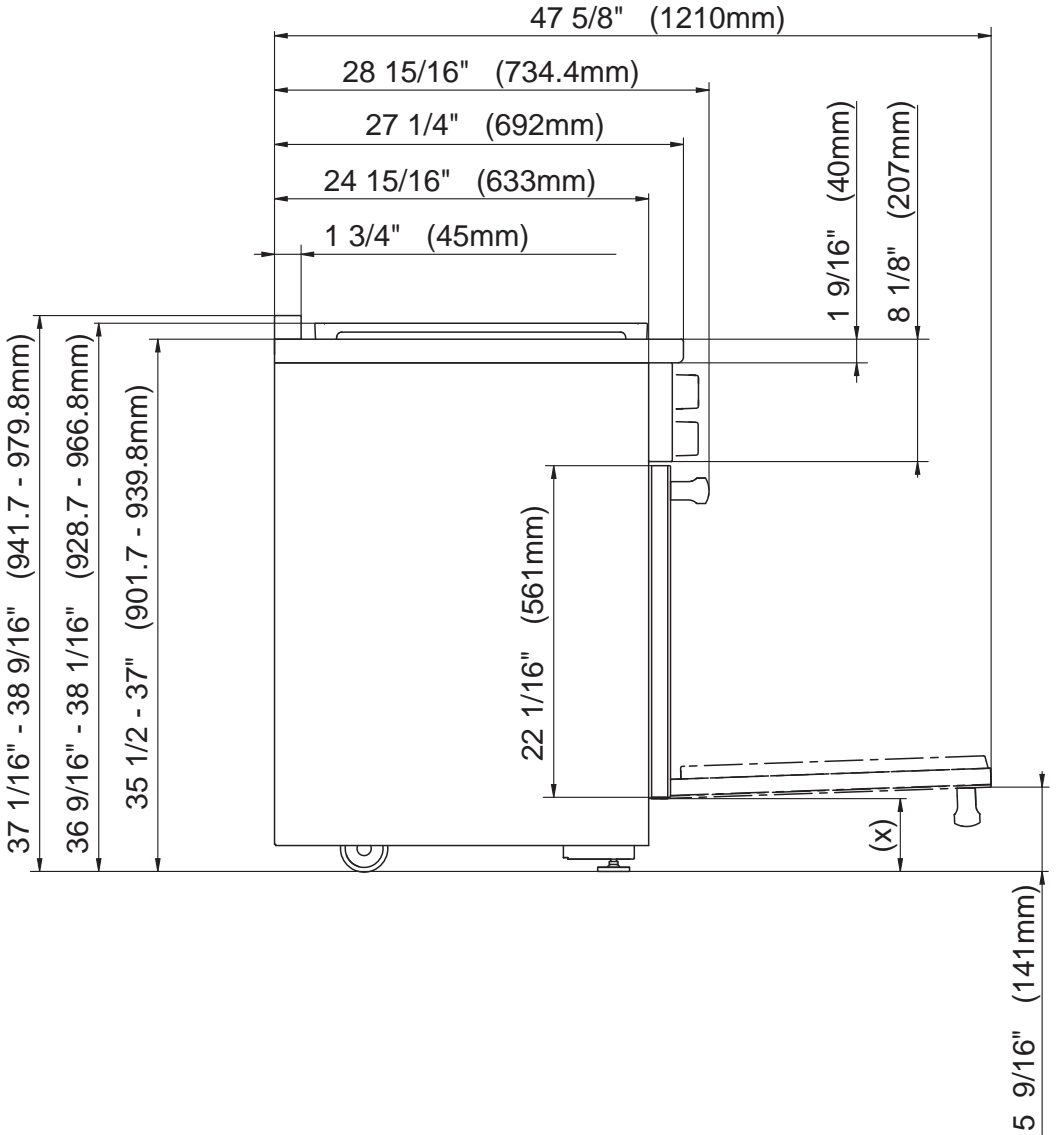
E = Electrical connection

G = Gas connection

# All Gas Range dimensions

## Detailed views of HR 1136

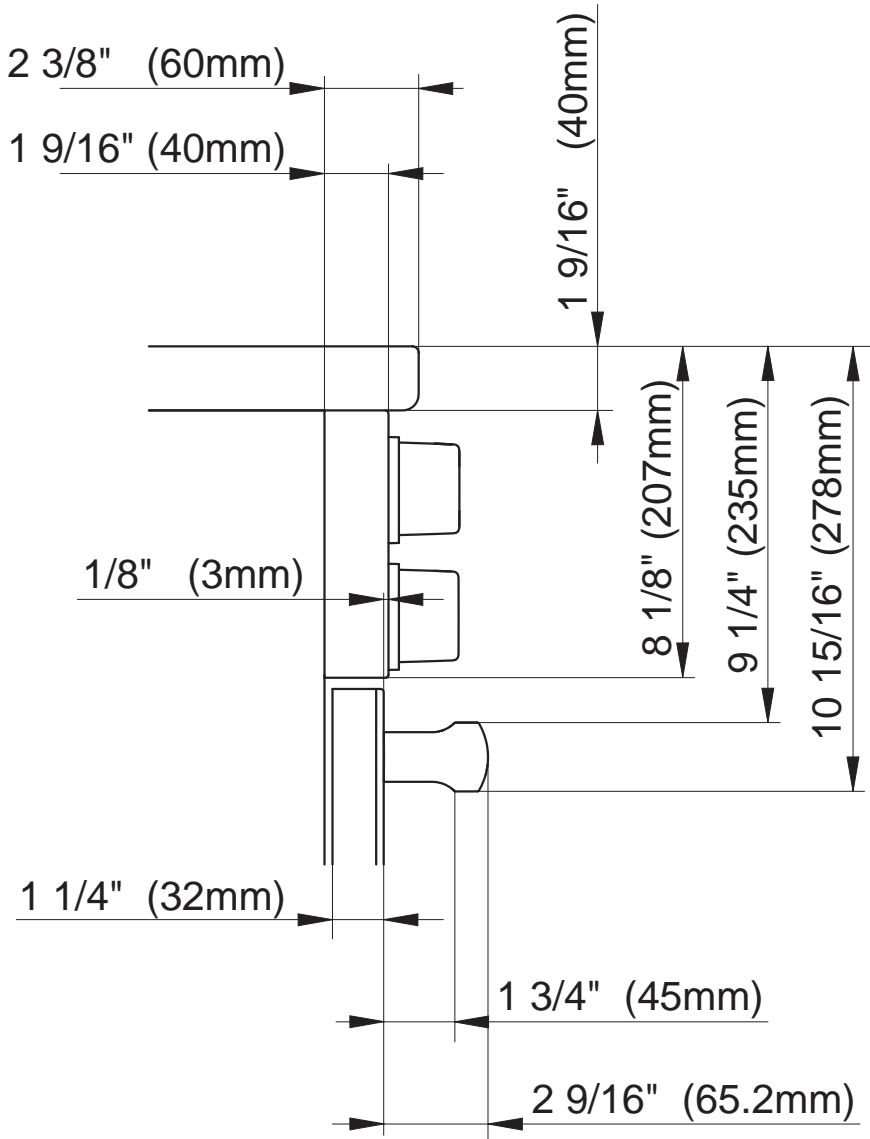
### Side view of HR 1136



(x) = Depending on the appliance height adjustment:  $4'' - 5 \frac{1}{2}''$  (101.6 mm - 139.7 mm)

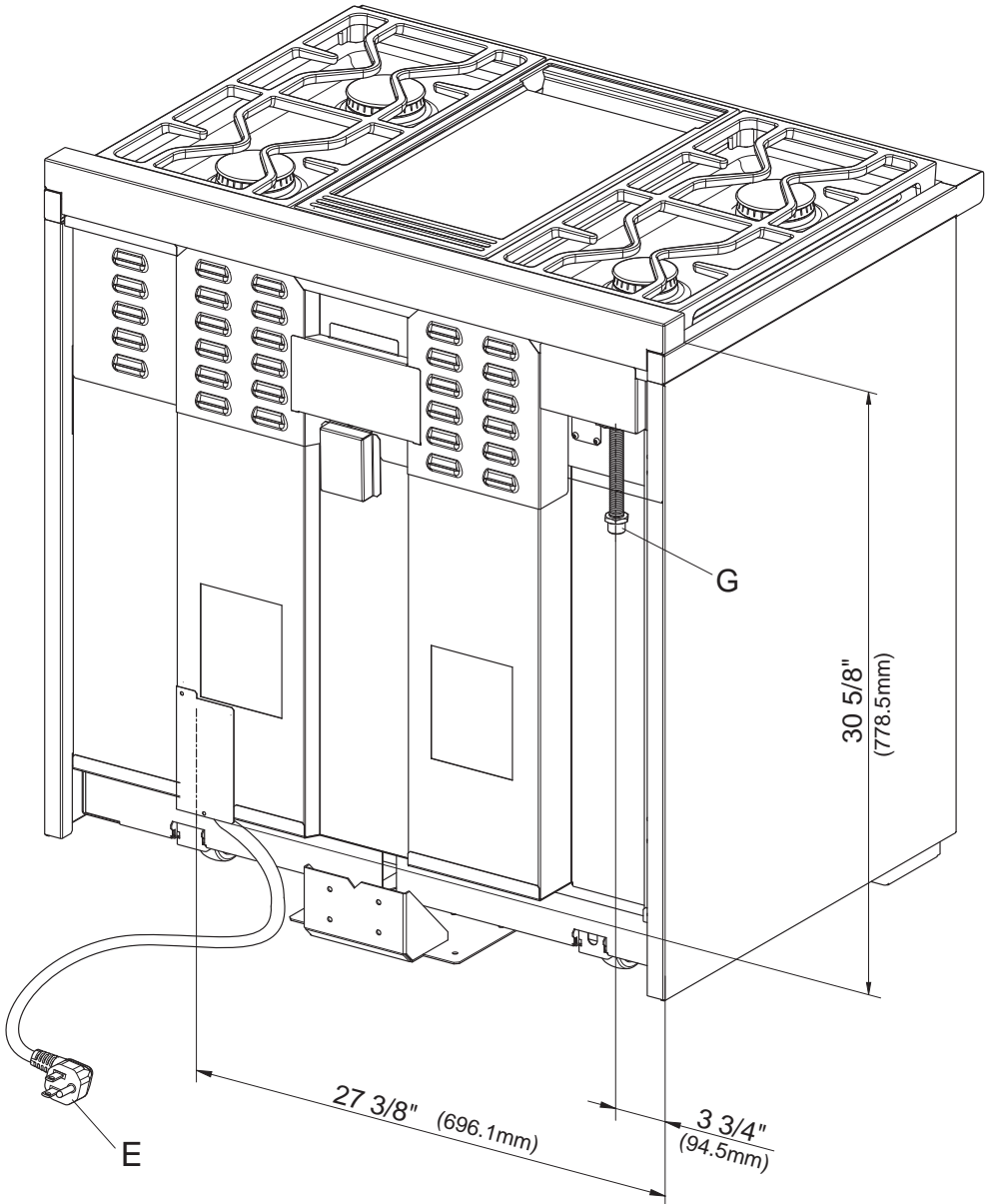
# All Gas Range dimensions

## Detailed front side view of HR 1136



# All Gas Range dimensions

## Rear view of HR 1136

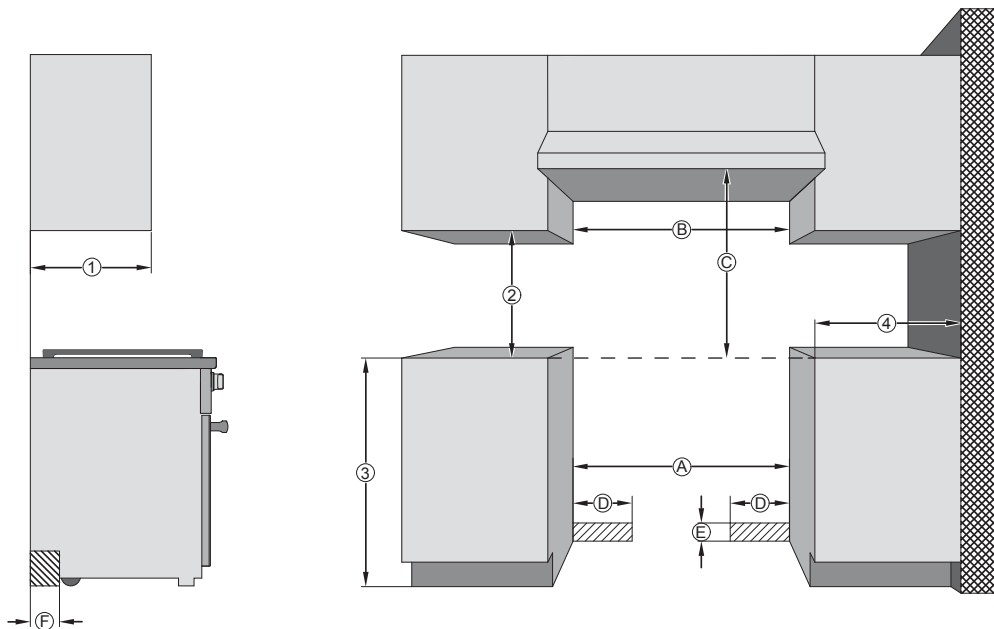


E = Electrical connection

G = Gas connection

# Dual Fuel Range dimensions

HR 1924, HR 1934, HR 1935, HR 1936, HR 1954, HR 1955, HR 1956



Ⓑ In case of combustible construction, an additional minimum clearance of 6" (each side) is necessary.

Position	Dimension	Description
①	13" (330 mm)	Maximum depth of top cabinet
②	18" (457 mm)	Minimum distance to bottom edge of top cabinet
③	35 1/2"–37" (901 - 940 mm)	Distance from floor to cooktop surface
④	10" (254 mm)	Minimum distance to combustible surfaces

## Dual Fuel Range dimensions

### HR 1924

Position	Dimension	Description	
Ⓐ	min. 30" (762 mm)	Width of cabinet opening	
Ⓑ	6" + Ⓐ + 6"	In case of the presence of combustible material an additional minimum clearance of 6" (each side) is necessary. Ensure local codes are observed.	
Ⓒ	37" (940 mm)	Minimum distance between the top of the cooking area and the bottom of an unprotected combustible surface.	
	30" (762 mm)	Minimum distance between the top of the cooking area and the bottom of the Miele Range Hood (DAR model with DRxB XL Blower).	
	For all other Hoods, please consult with manufacturer's instructions for required distances.		
Ⓓ	approx. 10 13/16" (274 mm)	Maximum connection width right and left	Location of wall receptacle
Ⓔ	approx. 4 1/2" (115 mm)	Maximum connection height	
Ⓕ	approx. 2 13/16" (72 mm)	Maximum connection depth	

## Dual Fuel Range dimensions

### HR 1934

Position	Dimension	Description	
Ⓐ	min. 36" (914 mm)	Width of cabinet opening	
Ⓑ	6" + Ⓐ + 6"	In case of the presence of combustible material an additional minimum clearance of 6" (each side) is necessary. Ensure local codes are observed.	
Ⓒ	37" (940 mm)	Minimum distance between the top of the cooking area and the bottom of an unprotected combustible surface.	
	36" (914 mm)	Minimum distance between the top of the cooking area and the bottom of the Miele Range Hood (DAR model with DRxB XL Blower).	
	30" (762 mm)	Minimum distance between the top of the cooking area and the bottom of the Miele Range Hood (DAR model with DRxB XXL Blower).	
	For all other Hoods, please consult with manufacturer's instructions for required distances.		
Ⓓ	approx. 13 3/4" (350 mm)	Maximum connection width right and left	Location of wall receptacle
Ⓔ	approx. 4 1/2" (115 mm)	Maximum connection height	
Ⓕ	approx. 2 13/16" (72 mm)	Maximum connection depth	



## Dual Fuel Range dimensions

### HR 1935, HR 1936

Position	Dimension	Description	
Ⓐ	min. 36" (914 mm)	Width of cabinet opening	
Ⓑ	6" + Ⓐ + 6"	In case of the presence of combustible material an additional minimum clearance of 6" (each side) is necessary. Ensure local codes are observed.	
Ⓒ	37" (940 mm)	Minimum distance between the top of the cooking area and the bottom of an unprotected combustible surface.	
	30" (762 mm)	Minimum distance between the top of the cooking area and the bottom of the Miele Range Hood (DAR model with DRxB XL or DRxB XXL Blower).	
	For all other Hoods, please consult with manufacturer's instructions for required distances.		
Ⓓ	approx. 13 3/4" (350 mm)	Maximum connection width right and left	Location of wall receptacle
Ⓔ	approx. 4 1/2" (115 mm)	Maximum connection height	
Ⓕ	approx. 2 13/16" (72 mm)	Maximum connection depth	

## Dual Fuel Range dimensions

### HR 1954, HR 1955, HR 1956

Position	Dimension	Description	
Ⓐ	min. 48" (1219 mm)	Width of cabinet opening	
Ⓑ	6" + Ⓐ + 6"	In case of the presence of combustible material an additional minimum clearance of 6" (each side) is necessary. Ensure local codes are observed.	
Ⓒ	37" (940 mm)	Minimum distance between the top of the cooking area and the bottom of an unprotected combustible surface.	
	36" (914 mm)	Minimum distance between the top of the cooking area and the bottom of the Miele Range Hood (DAR model with DRxB XXL Blower).	
	For all other Hoods, please consult with manufacturer's instructions for required distances.		
Ⓓ	approx. 20 1/2" (518 mm)	Maximum connection width right and left	Location of wall receptacle
Ⓔ	approx. 3 1/2" (90 mm)	Maximum connection height	
Ⓕ	approx. 2 13/16" (72 mm)	Maximum connection depth	

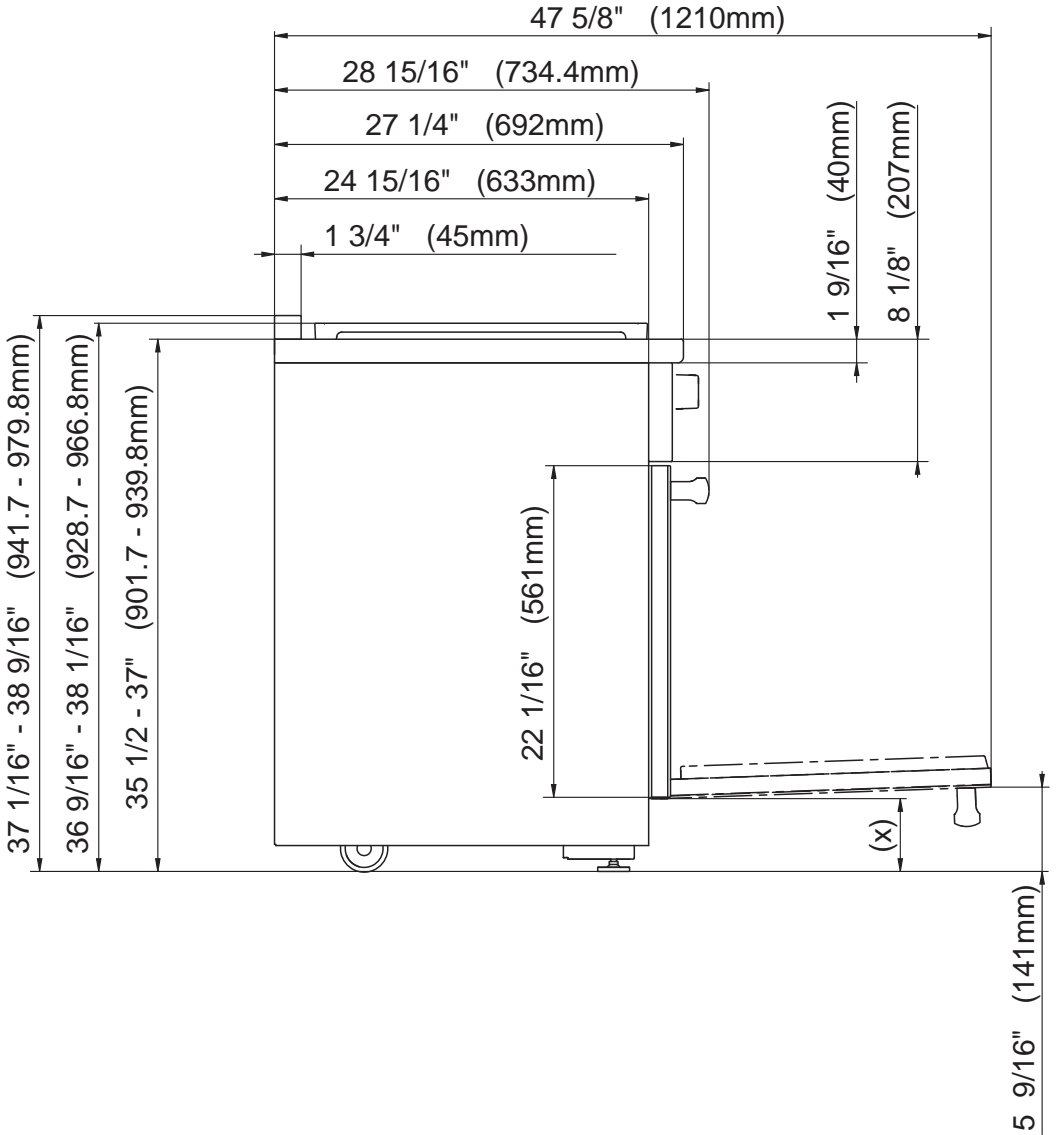
The hatched areas represent the installation areas for the connections.

12" (305 mm) minimum distance is necessary from back of range to combustible rear wall above countertop.

# Dual Fuel Range dimensions

## Detailed views of HR 1924

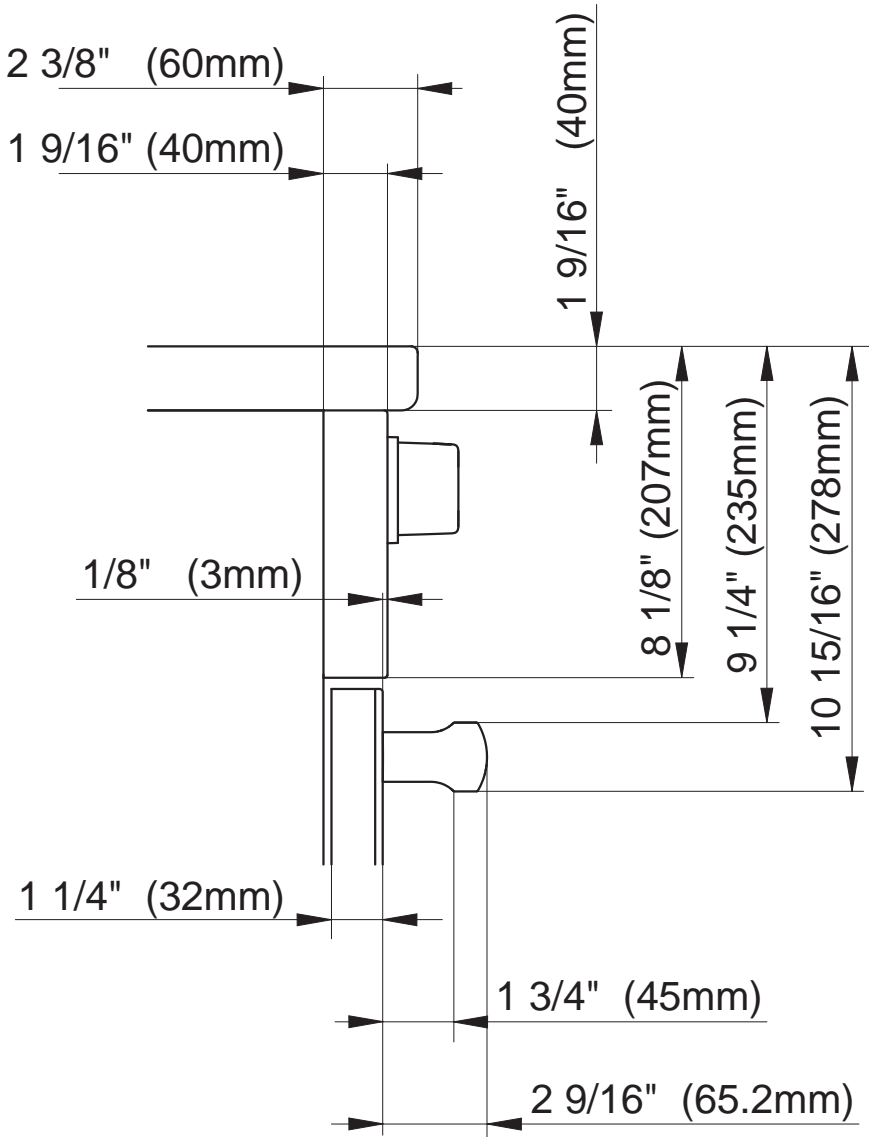
### Side view of HR 1924



(x) = Depending on the appliance height adjustment: 4" - 5 1/2" (101.6 mm - 139.7 mm)

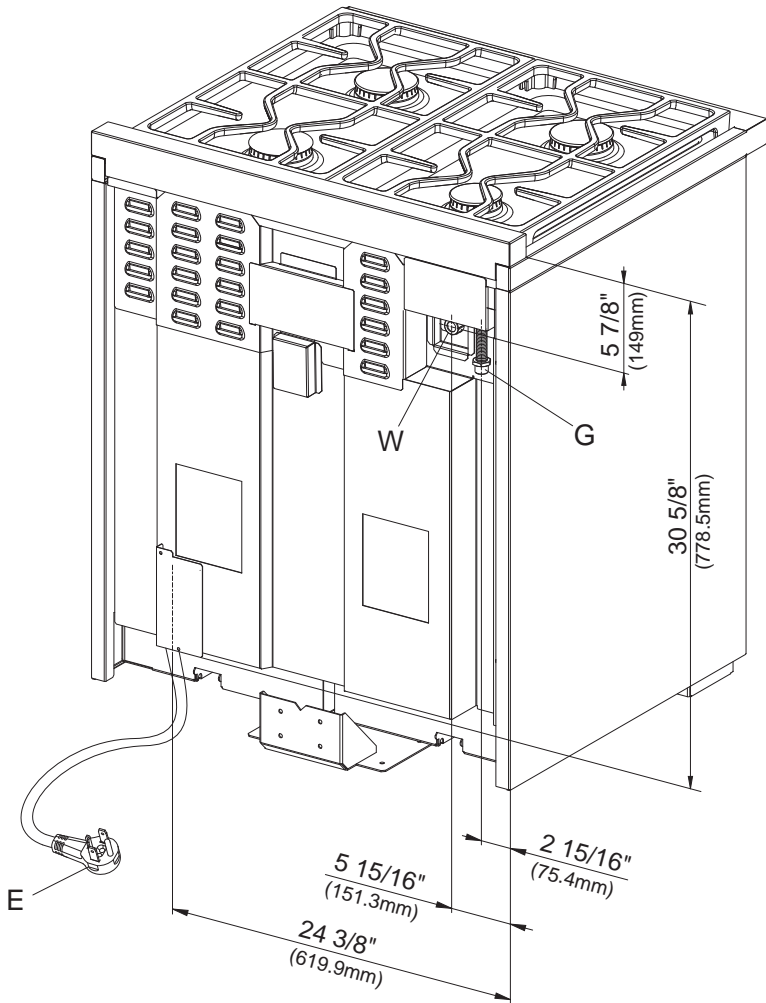
# Dual Fuel Range dimensions

## Detailed front side view of HR 1924



# Dual Fuel Range dimensions

## Rear view of HR 1924



E = Electrical connection

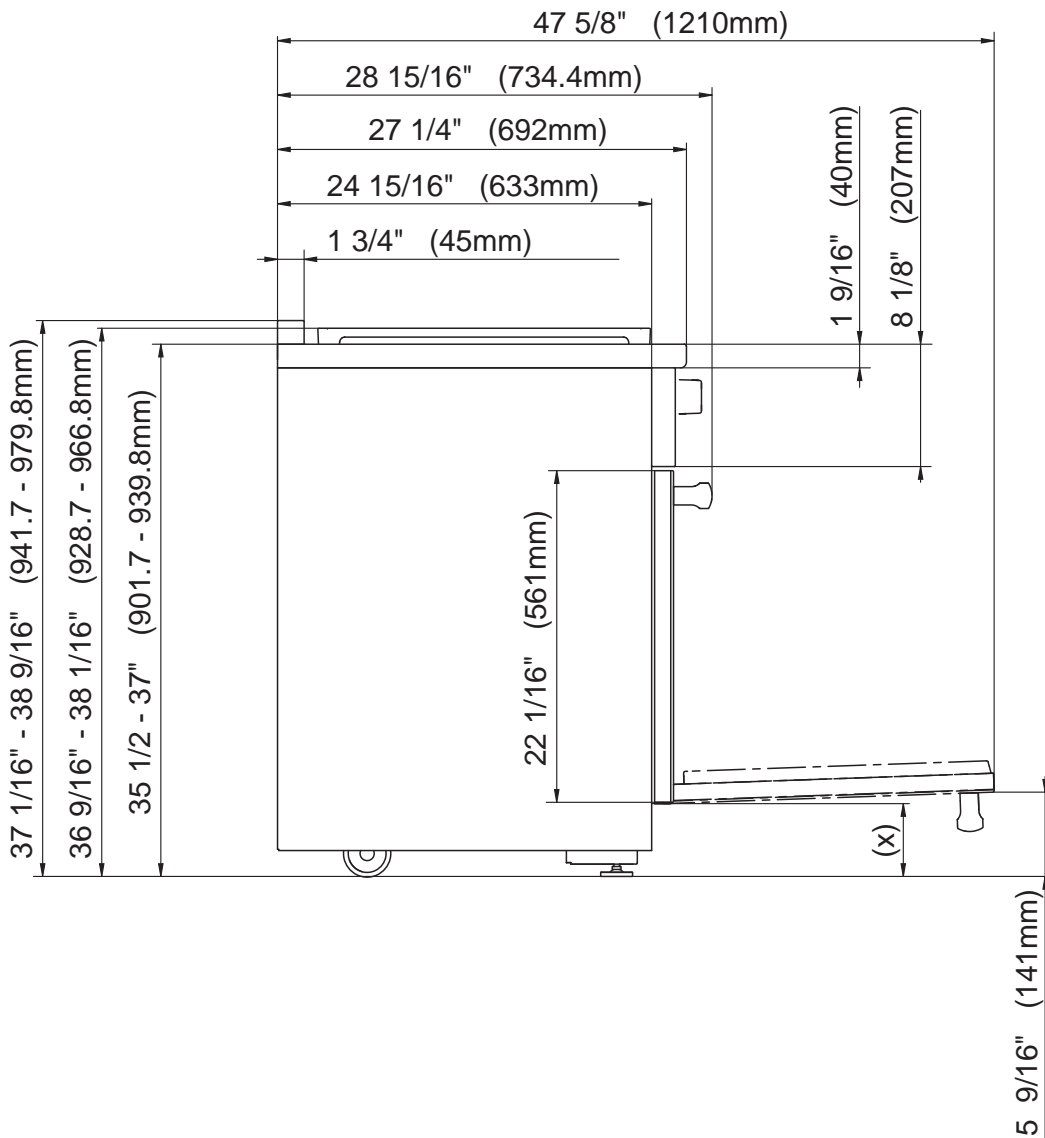
W = Water connection

G = Gas connection

# Dual Fuel Range dimensions

## Detailed views of HR 1934

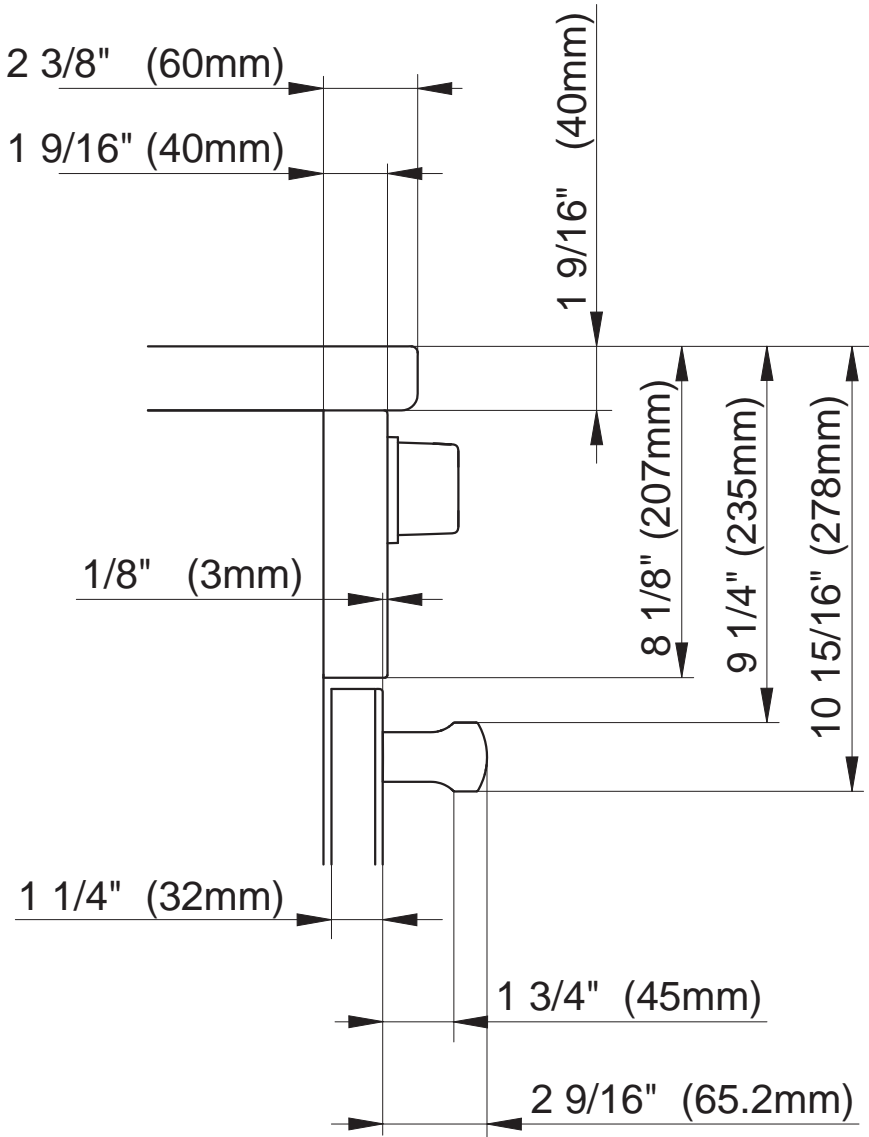
### Side view of HR 1934



(x) = Depending on the appliance height adjustment: 4" - 5 1/2" (101.6 mm - 139.7 mm)

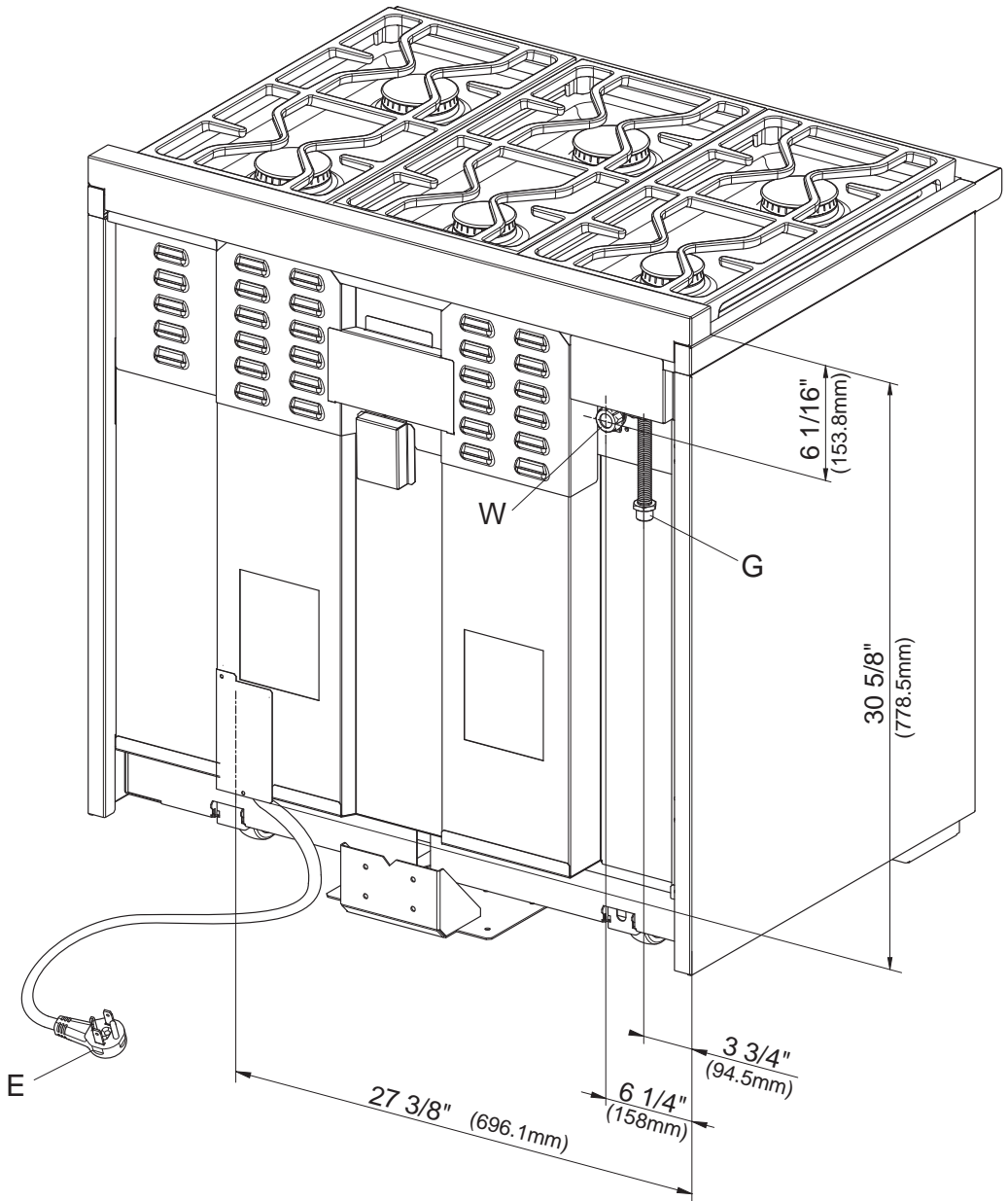
# Dual Fuel Range dimensions

Detailed front side view of HR 1934



# Dual Fuel Range dimensions

## Rear view of HR 1934



E = Electrical connection

W = Water connection

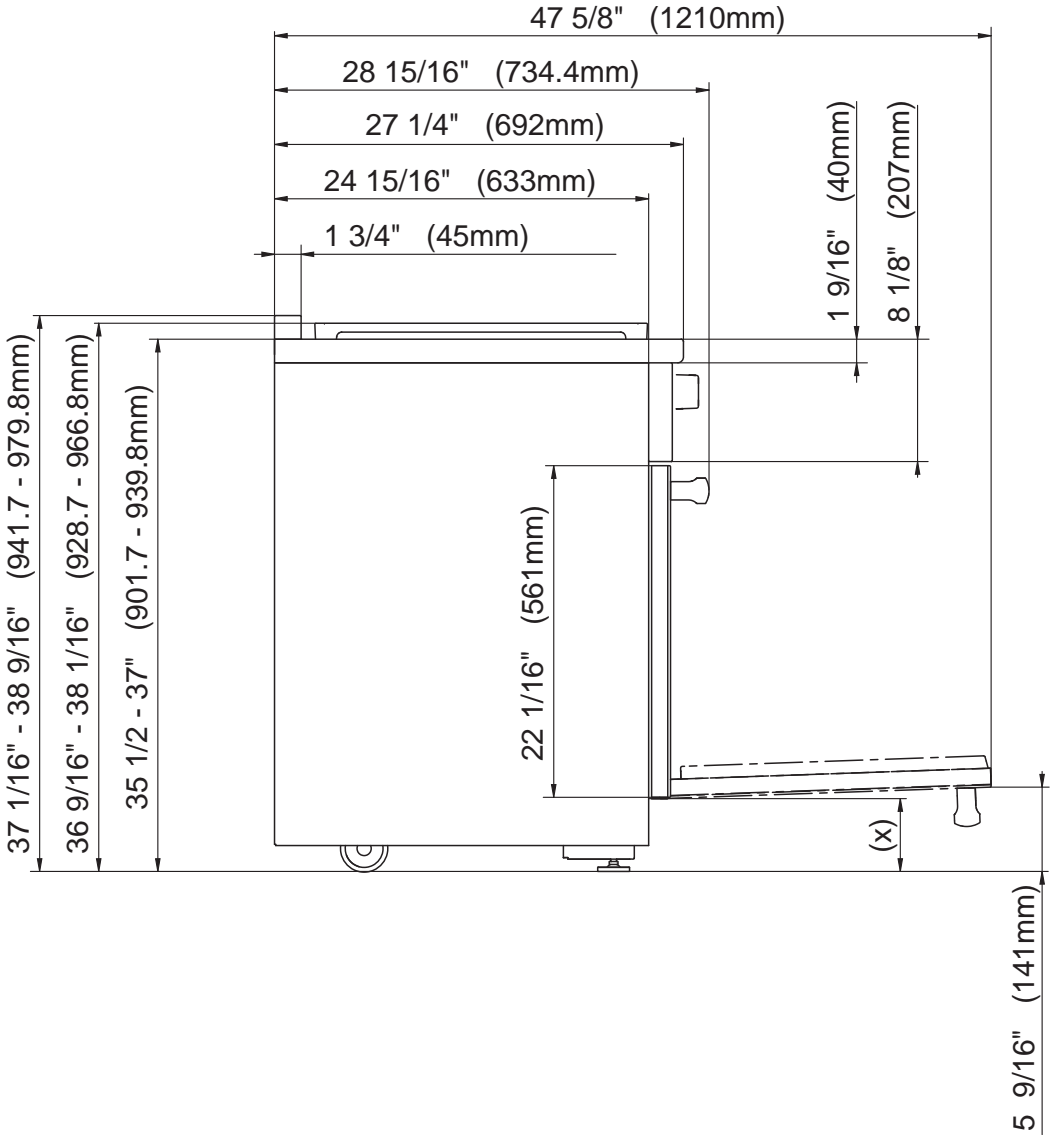
G = Gas connection



# Dual Fuel Range dimensions

## Detailed views of HR 1935

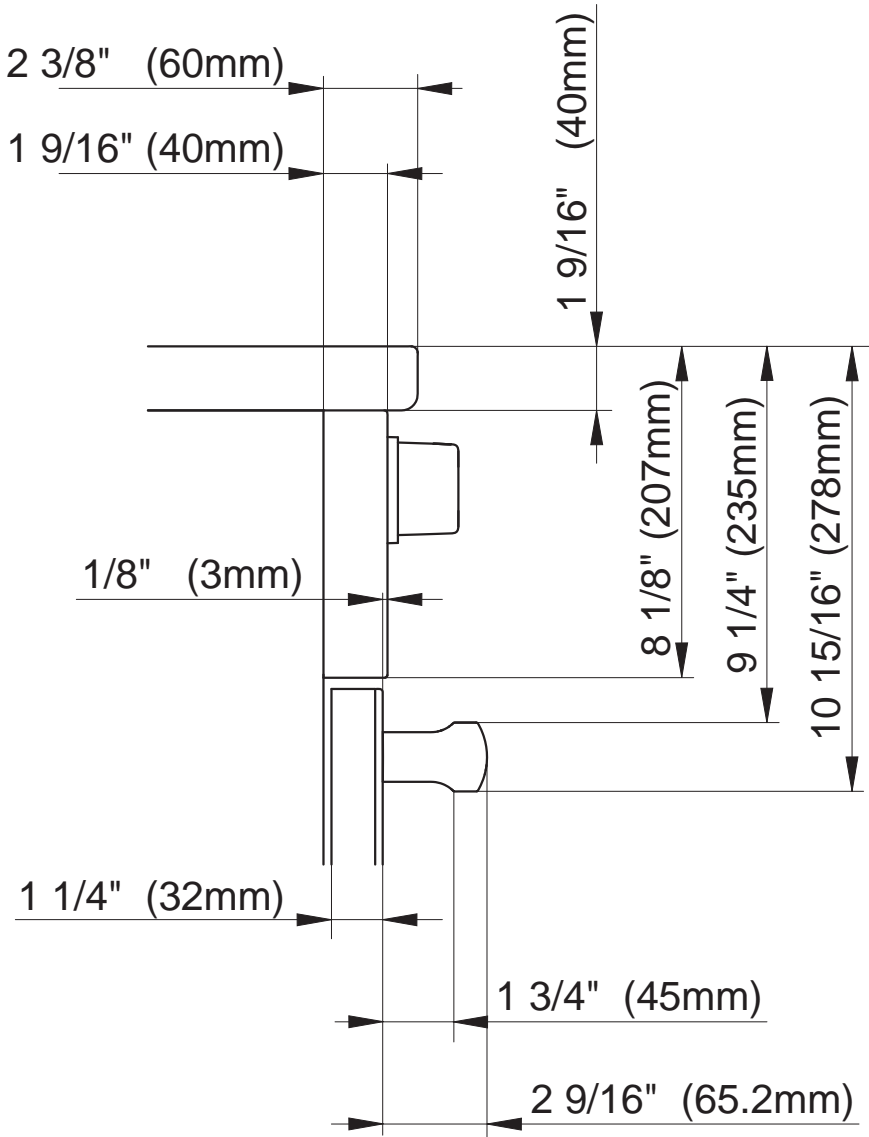
### Side view of HR 1935



(x) = Depending on the appliance height adjustment: 4" - 5 1/2" (101.6 mm - 139.7 mm)

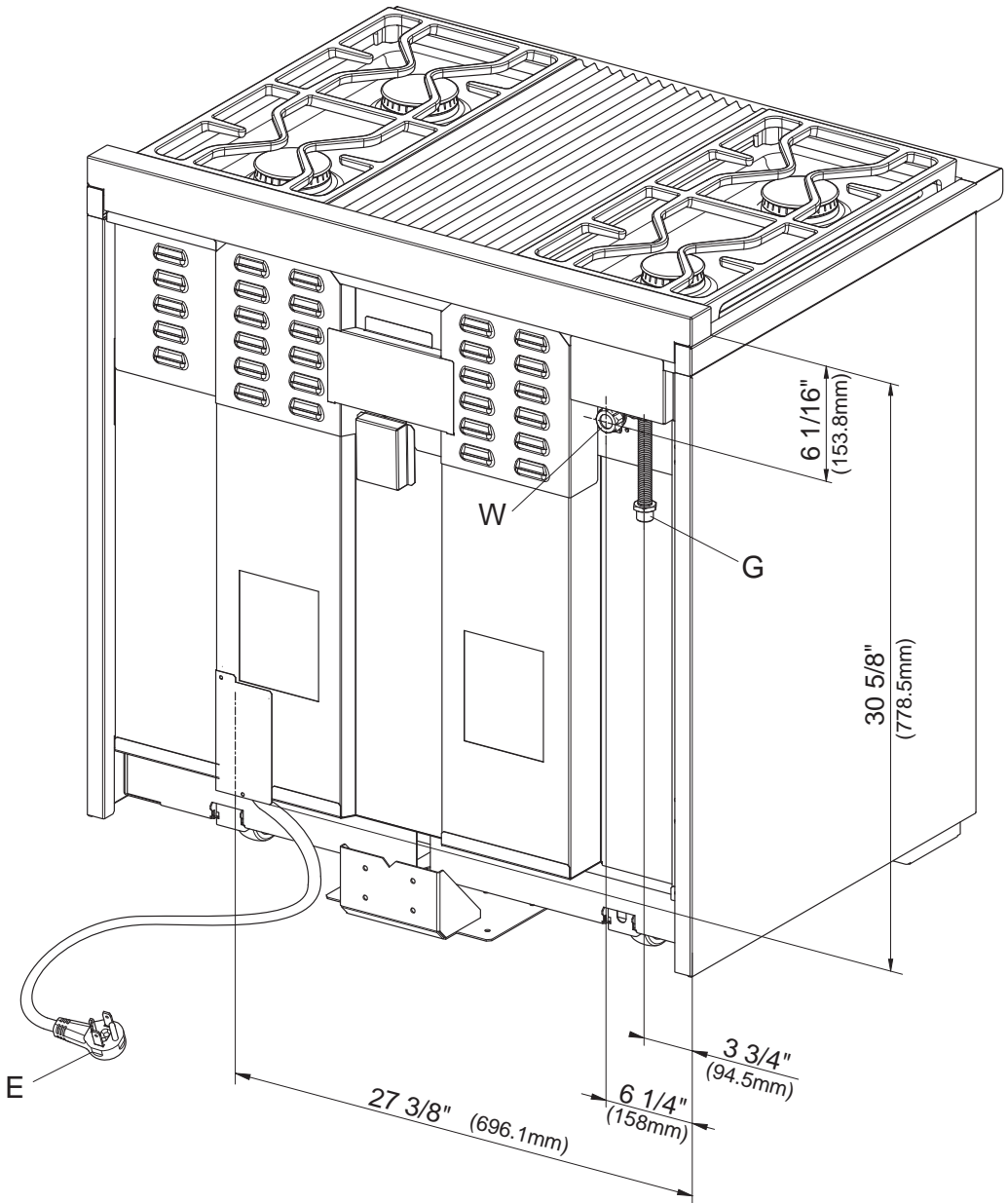
# Dual Fuel Range dimensions

## Detailed front side view of HR 1935



# Dual Fuel Range dimensions

## Rear view of HR 1935



E = Electrical connection

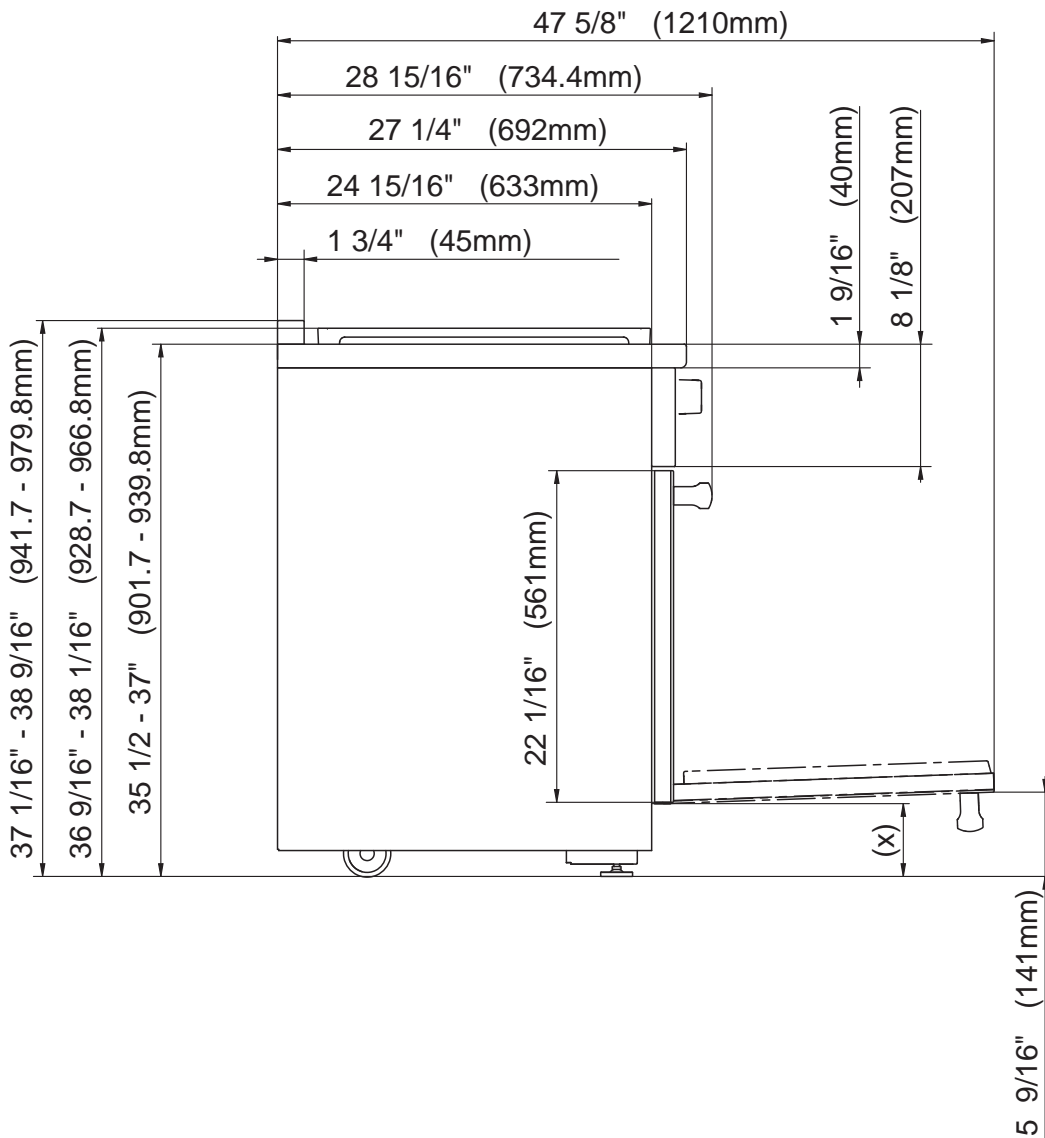
W = Water connection

G = Gas connection

# Dual Fuel Range dimensions

## Detailed views of HR 1936

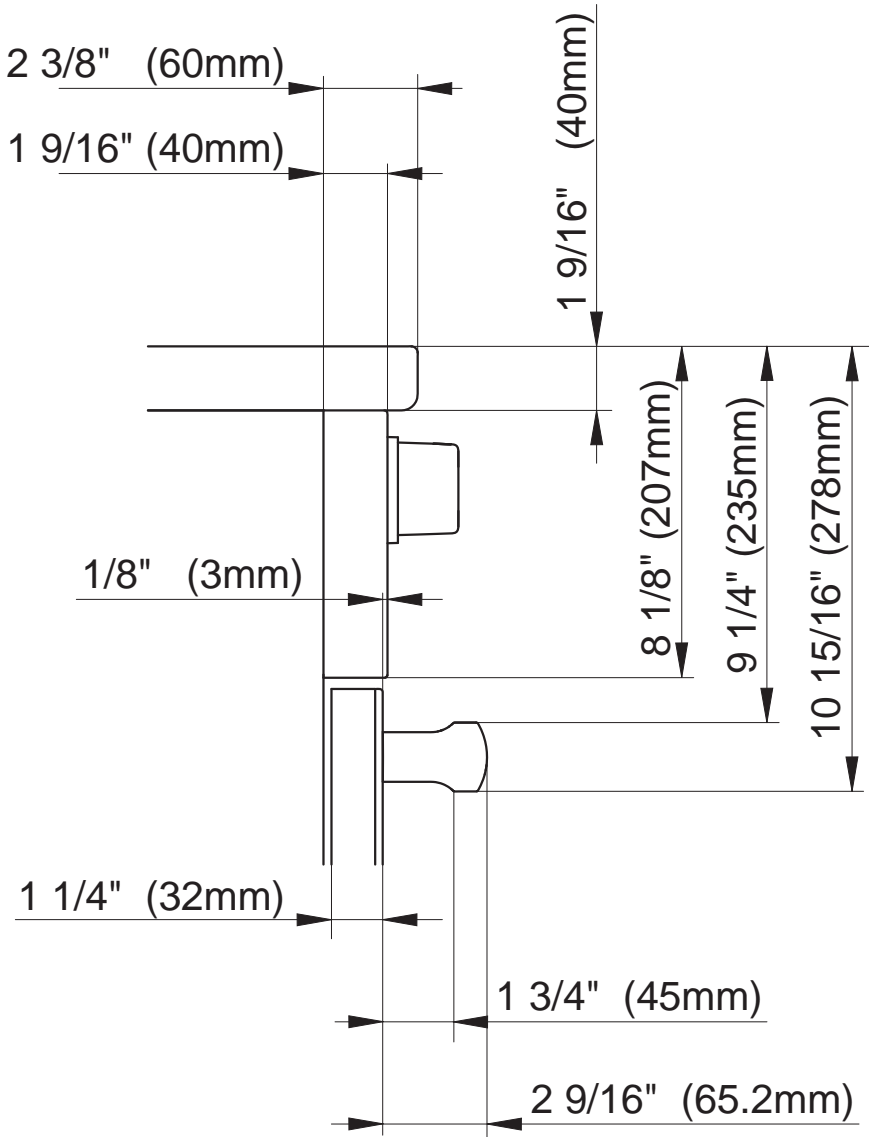
### Side view of HR 1936



(x) = Depending on the appliance height adjustment: 4" - 5 1/2" (101.6 mm - 139.7 mm)

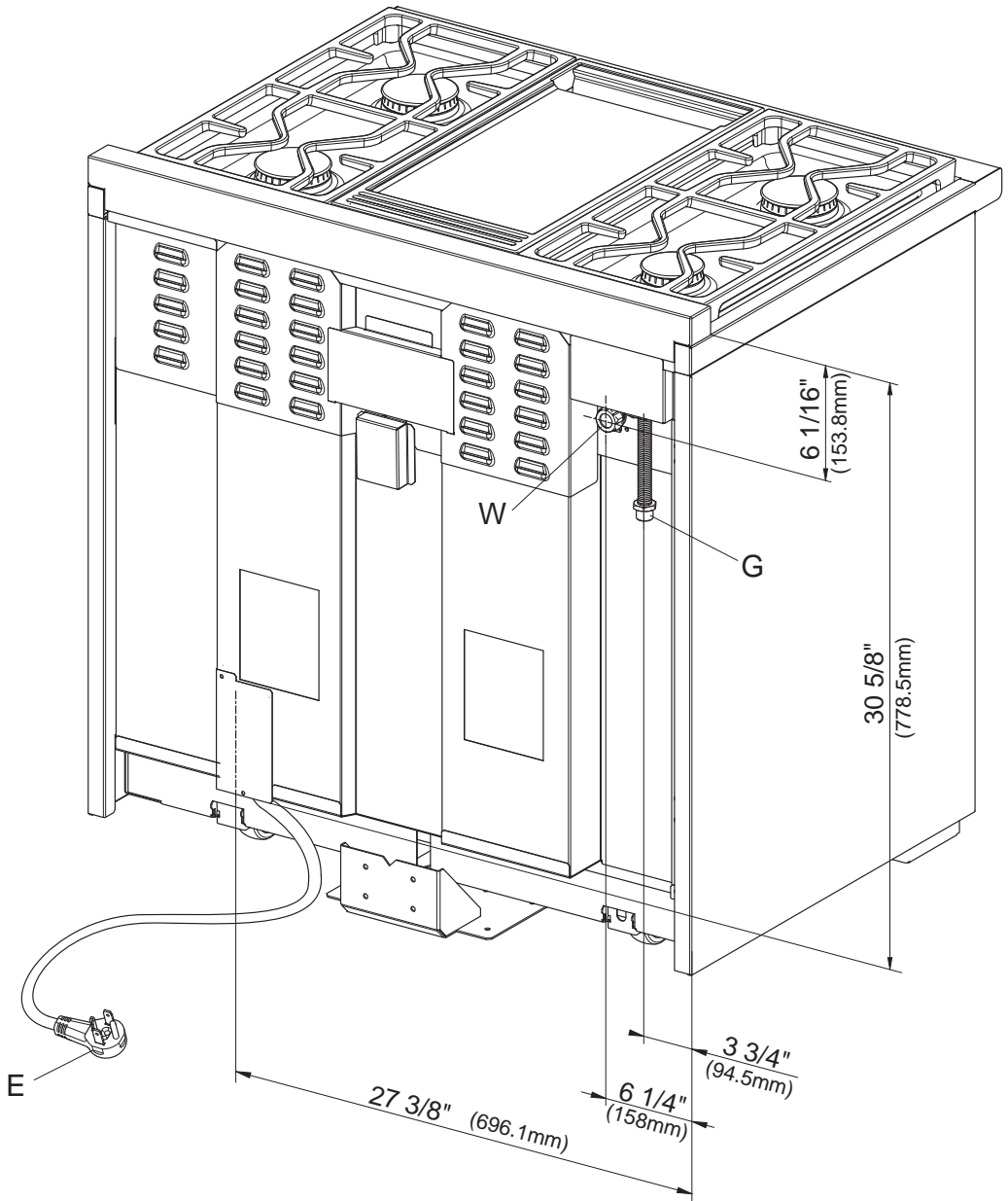
# Dual Fuel Range dimensions

Detailed front side view of HR 1936



# Dual Fuel Range dimensions

## Rear view of HR 1936



E = Electrical connection

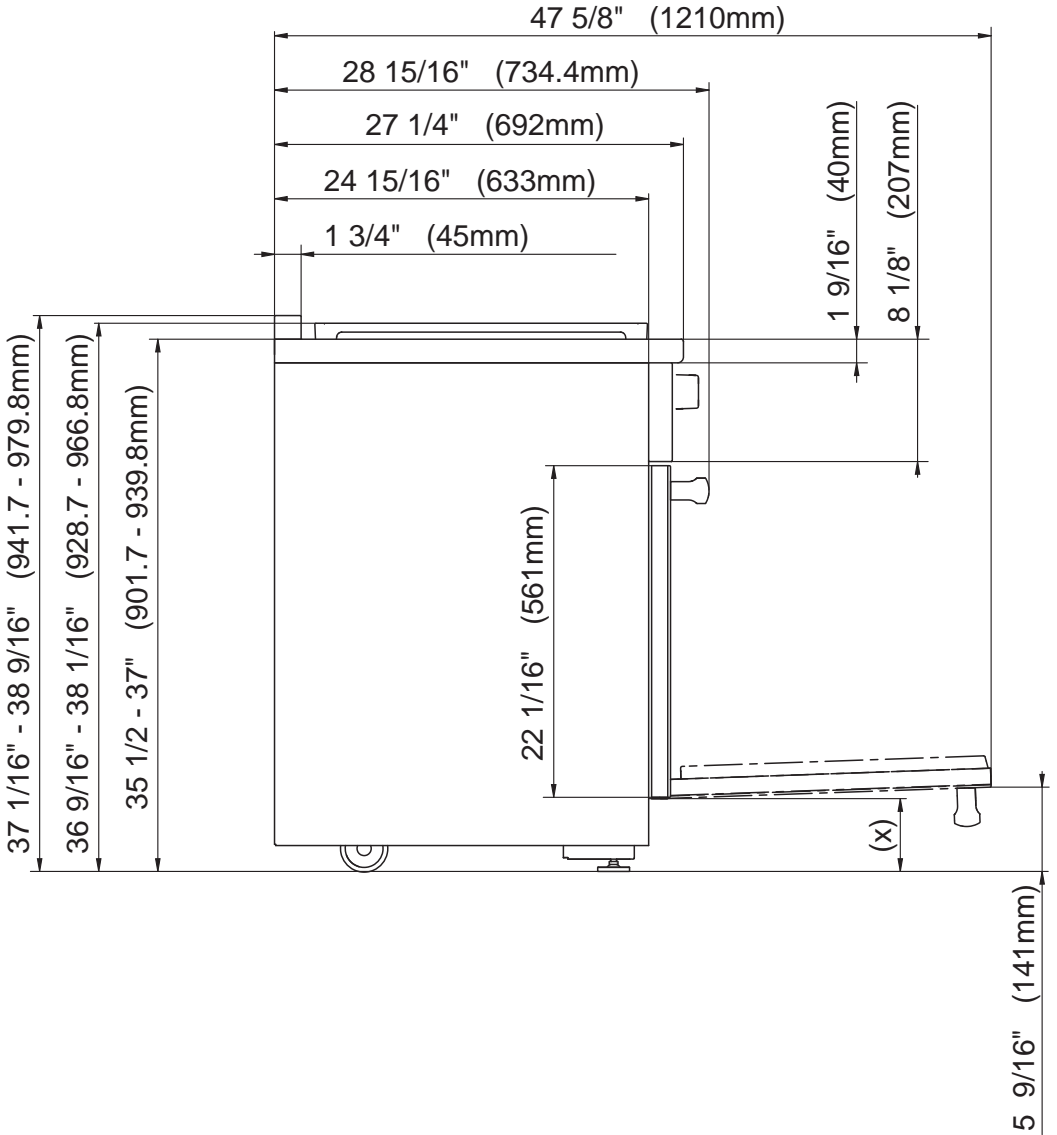
W = Water connection

G = Gas connection

# Dual Fuel Range dimensions

## Detailed views of HR 1954

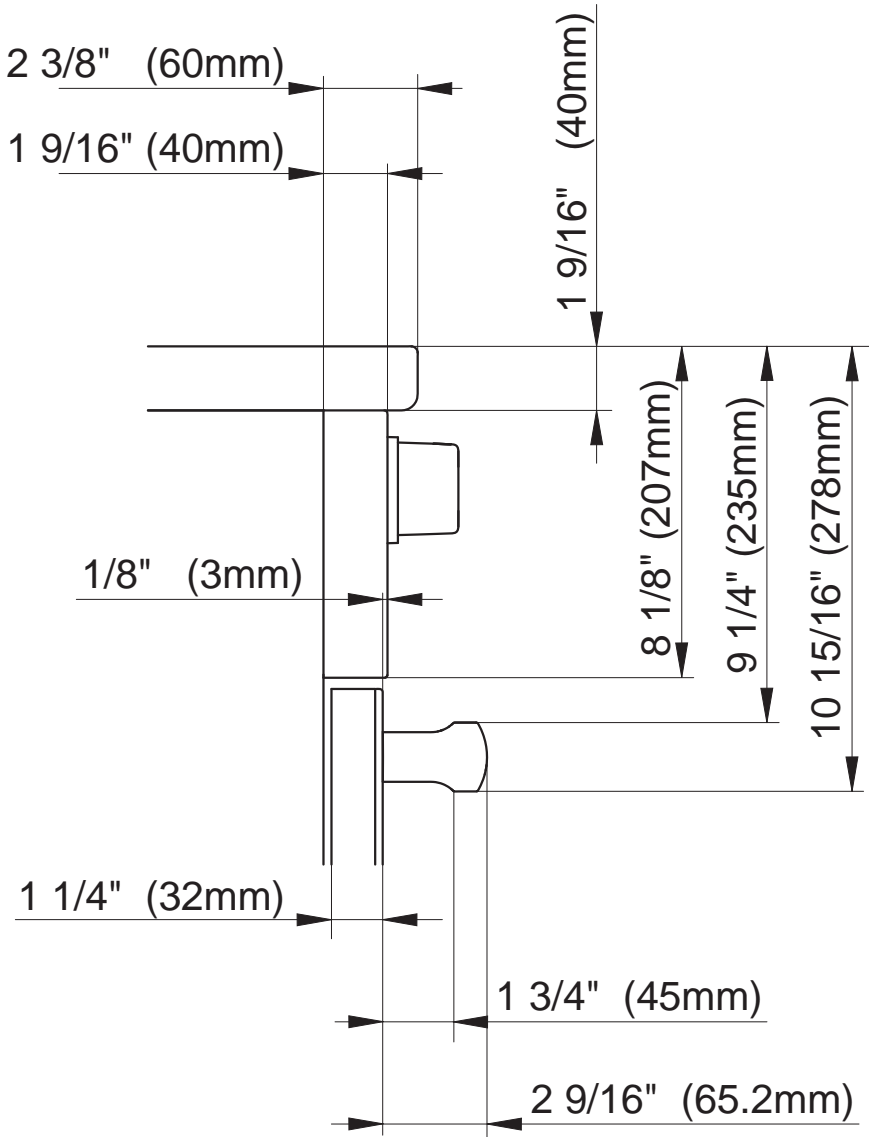
### Side view of HR 1954



(x) = Depending on the appliance height adjustment: 4" - 5 1/2" (101.6 mm - 139.7 mm)

# Dual Fuel Range dimensions

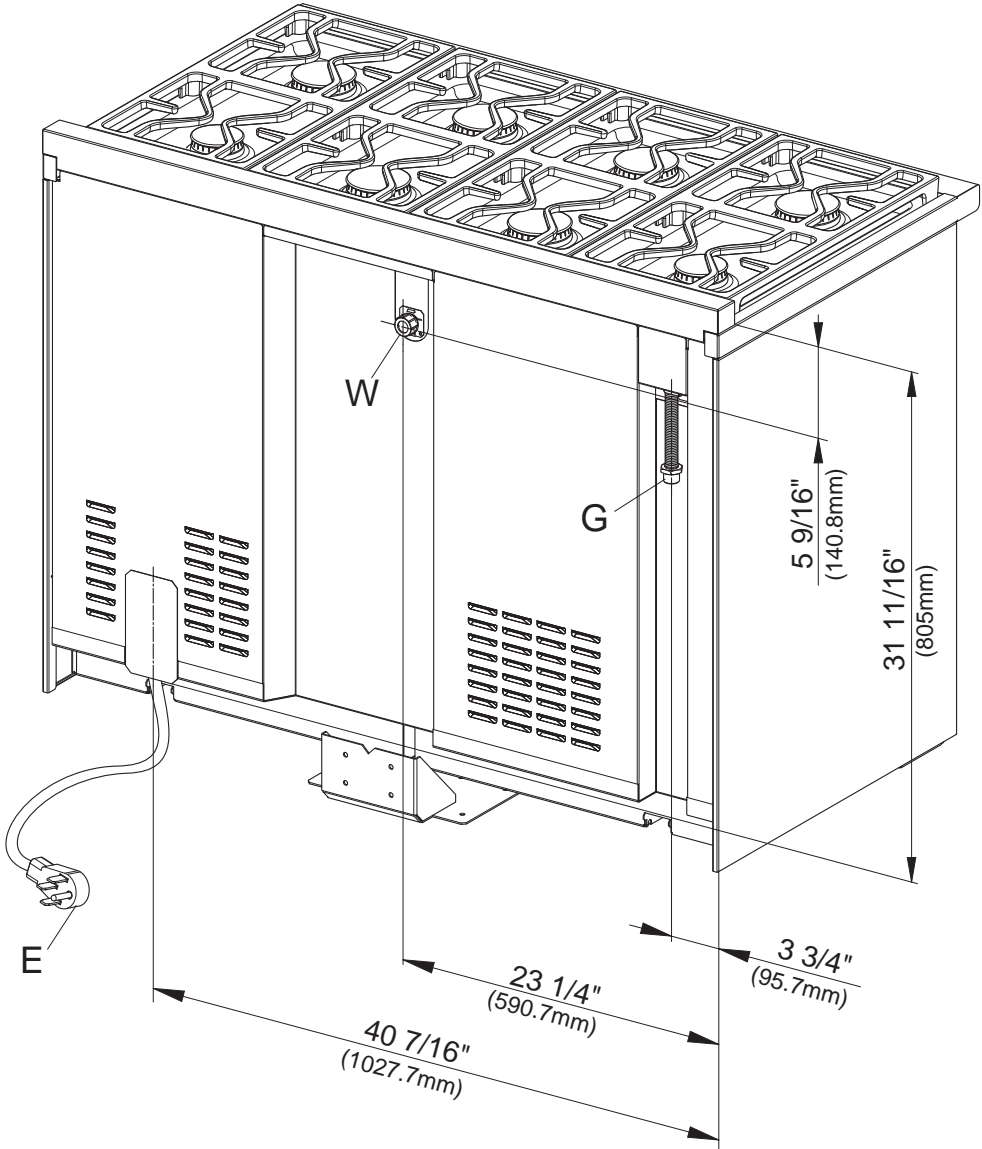
## Detailed front side view of HR 1954





# Dual Fuel Range dimensions

## Rear view of HR 1954



E = Electrical connection

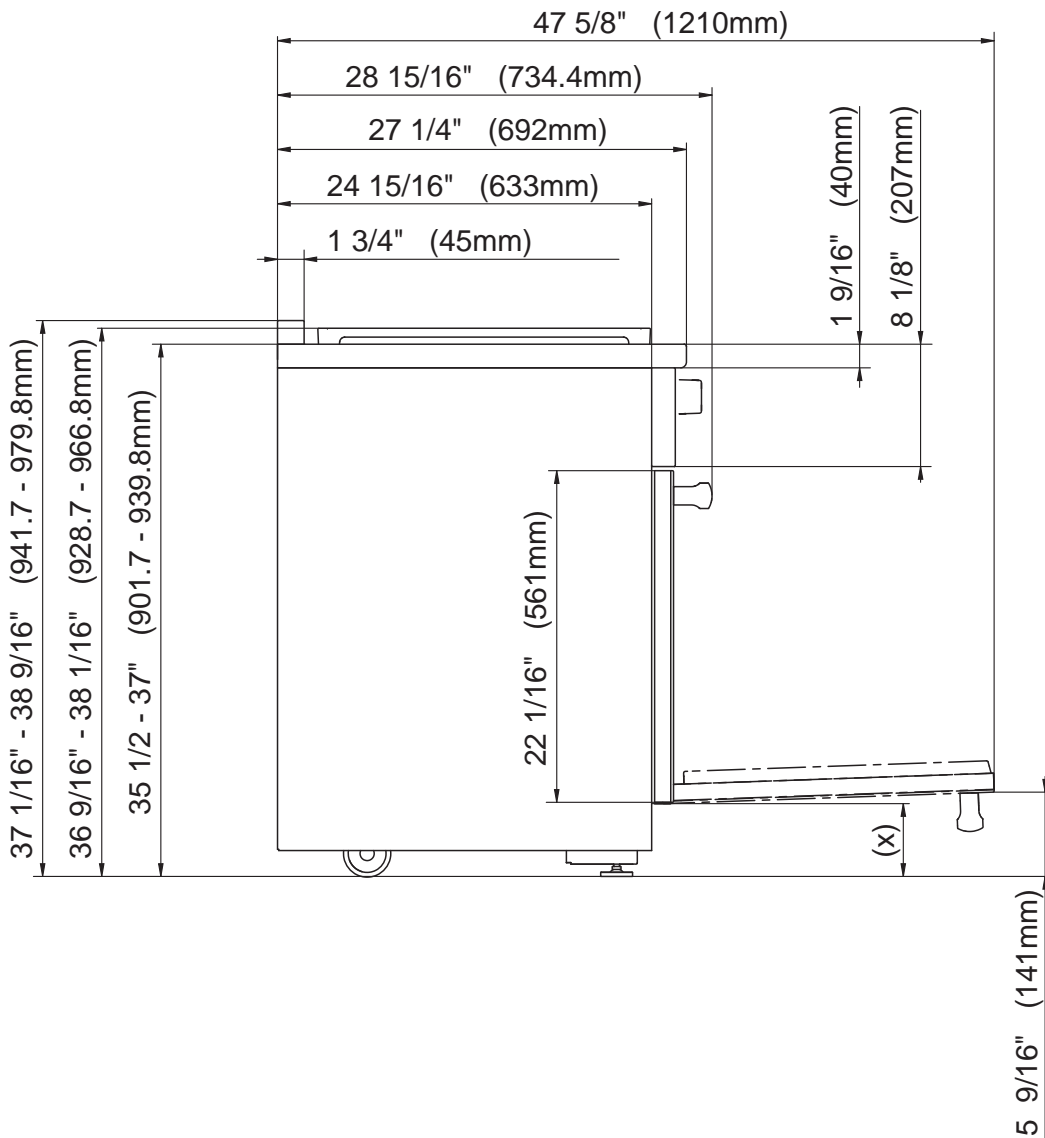
W = Water connection

G = Gas connection

# Dual Fuel Range dimensions

## Detailed views of HR 1955

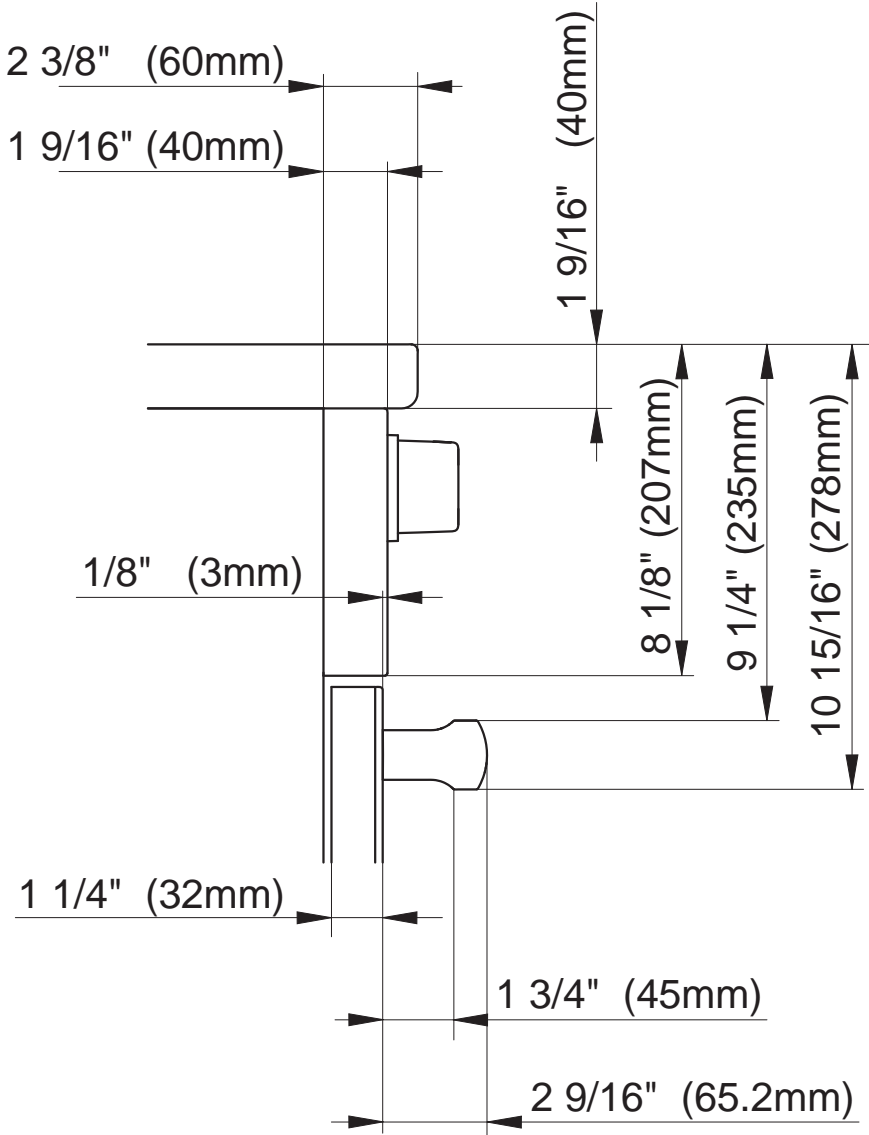
### Side view of HR 1955



(x) = Depending on the appliance height adjustment: 4" - 5 1/2" (101.6 mm - 139.7 mm)

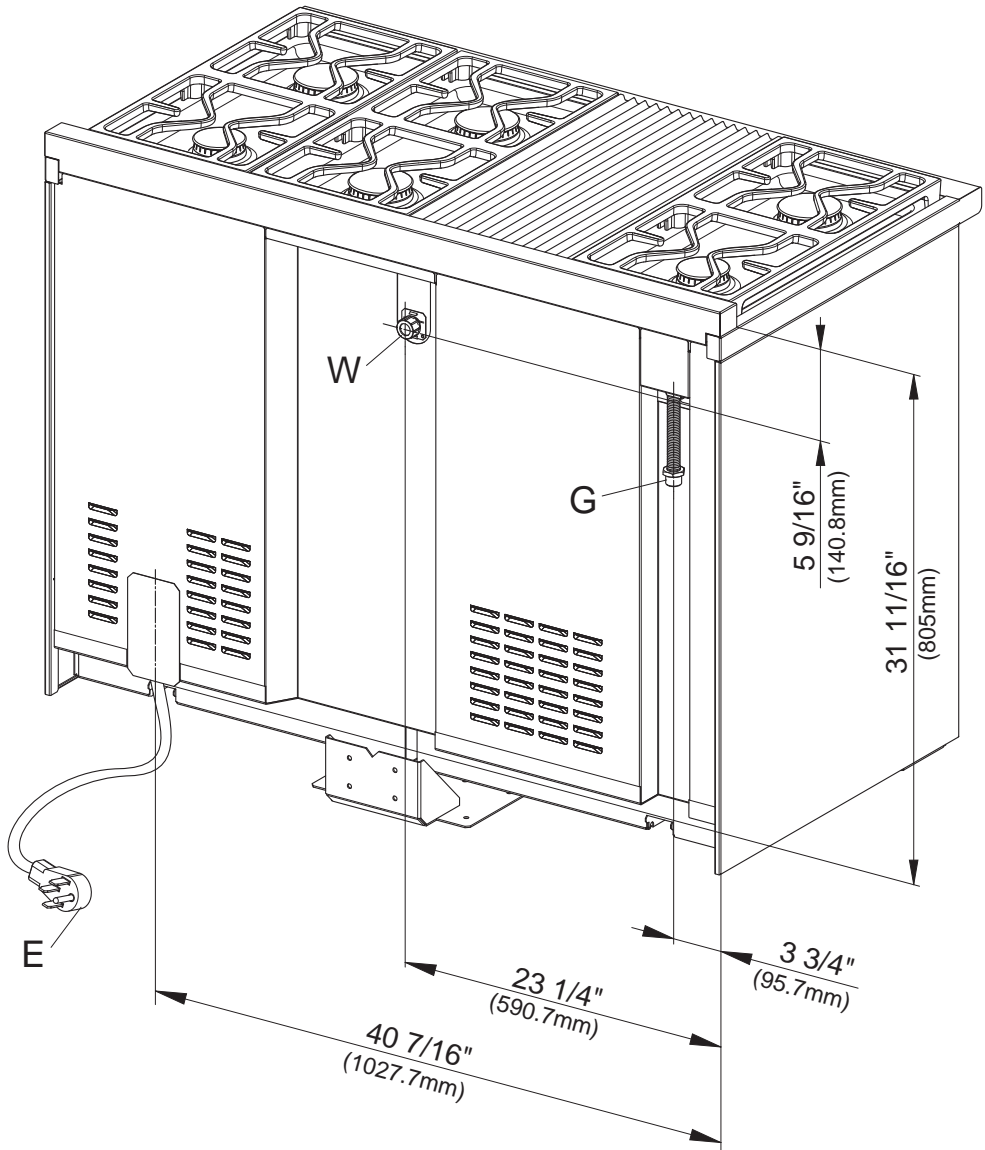
# Dual Fuel Range dimensions

## Detailed front side view of HR 1955



# Dual Fuel Range dimensions

## Rear view of HR 1955



E = Electrical connection

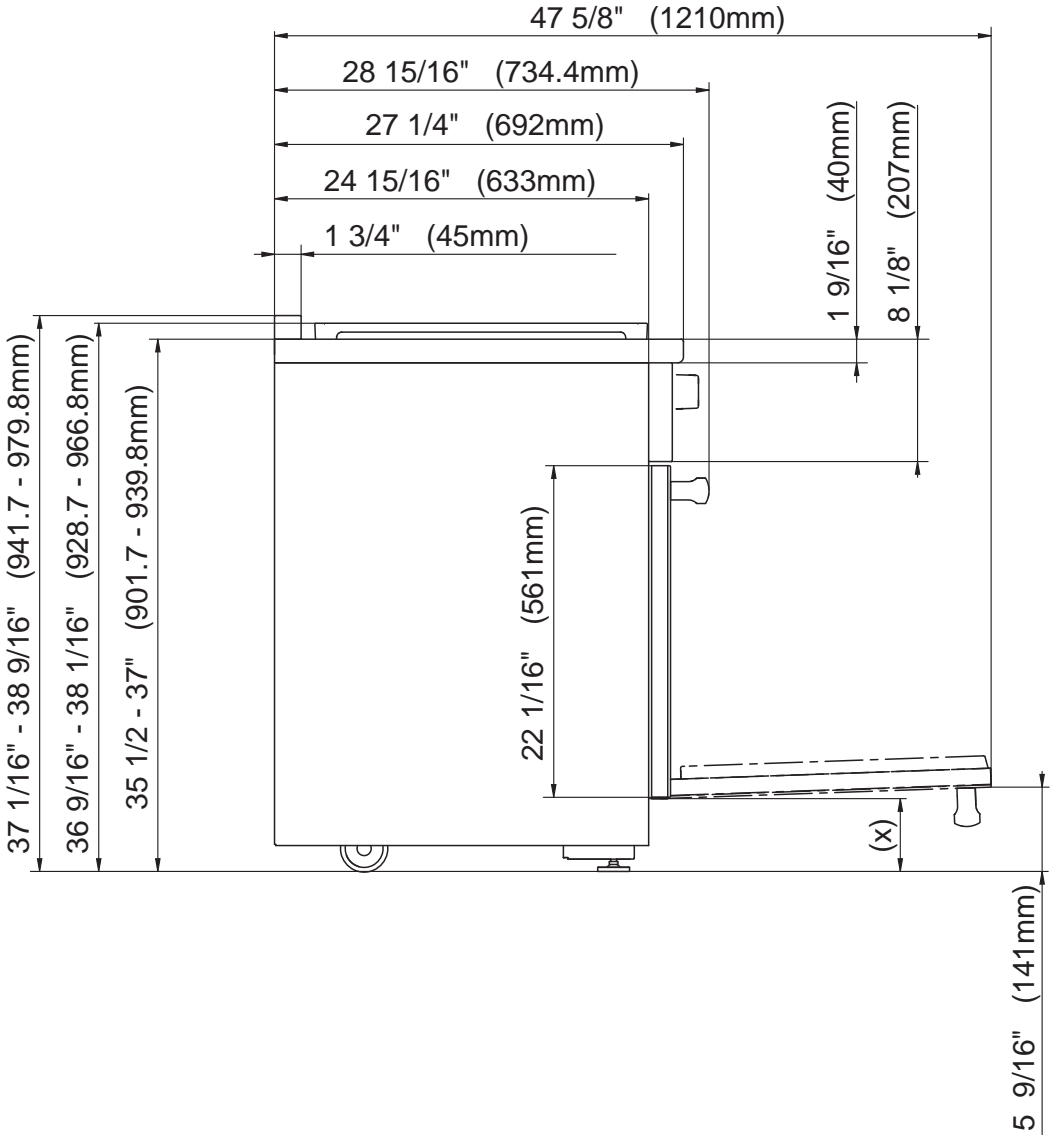
W = Water connection

G = Gas connection

# Dual Fuel Range dimensions

## Detailed views of HR 1956

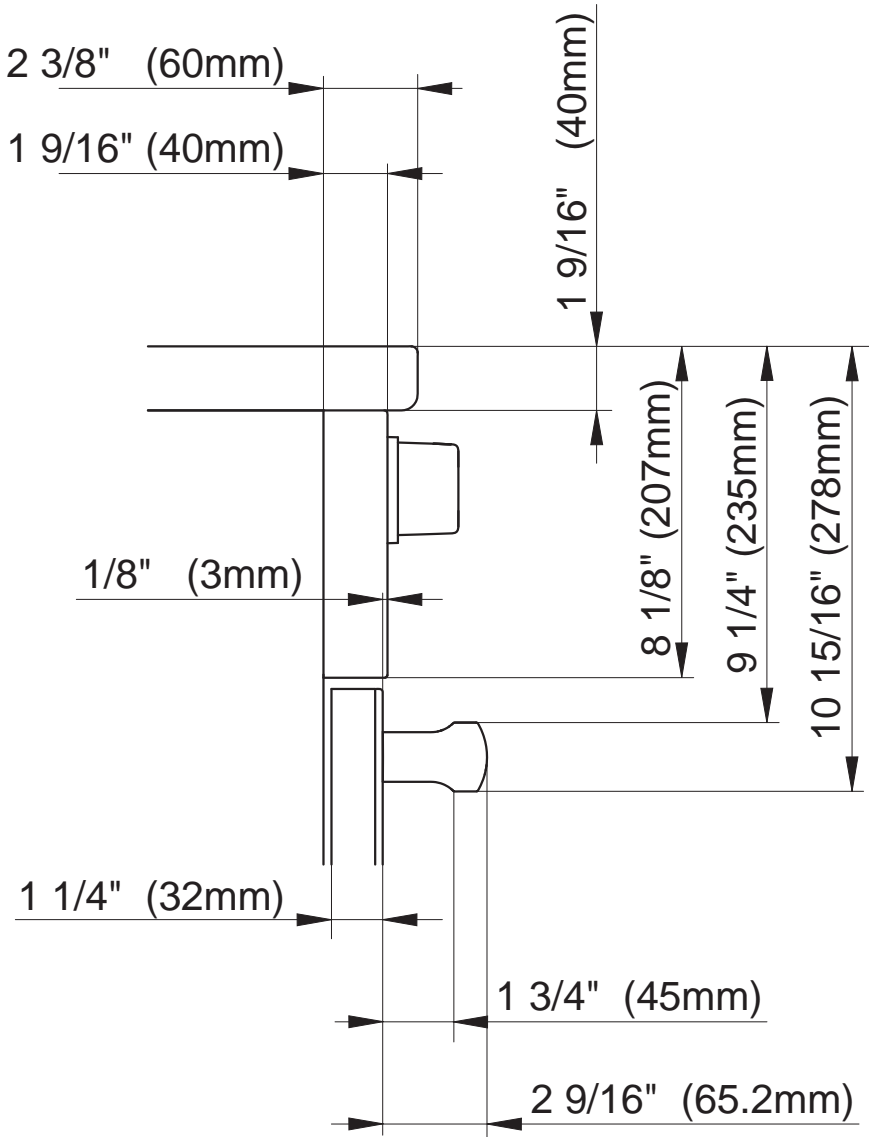
### Side view of HR 1956



(x) = Depending on the appliance height adjustment: 4" - 5 1/2" (101.6 mm - 139.7 mm)

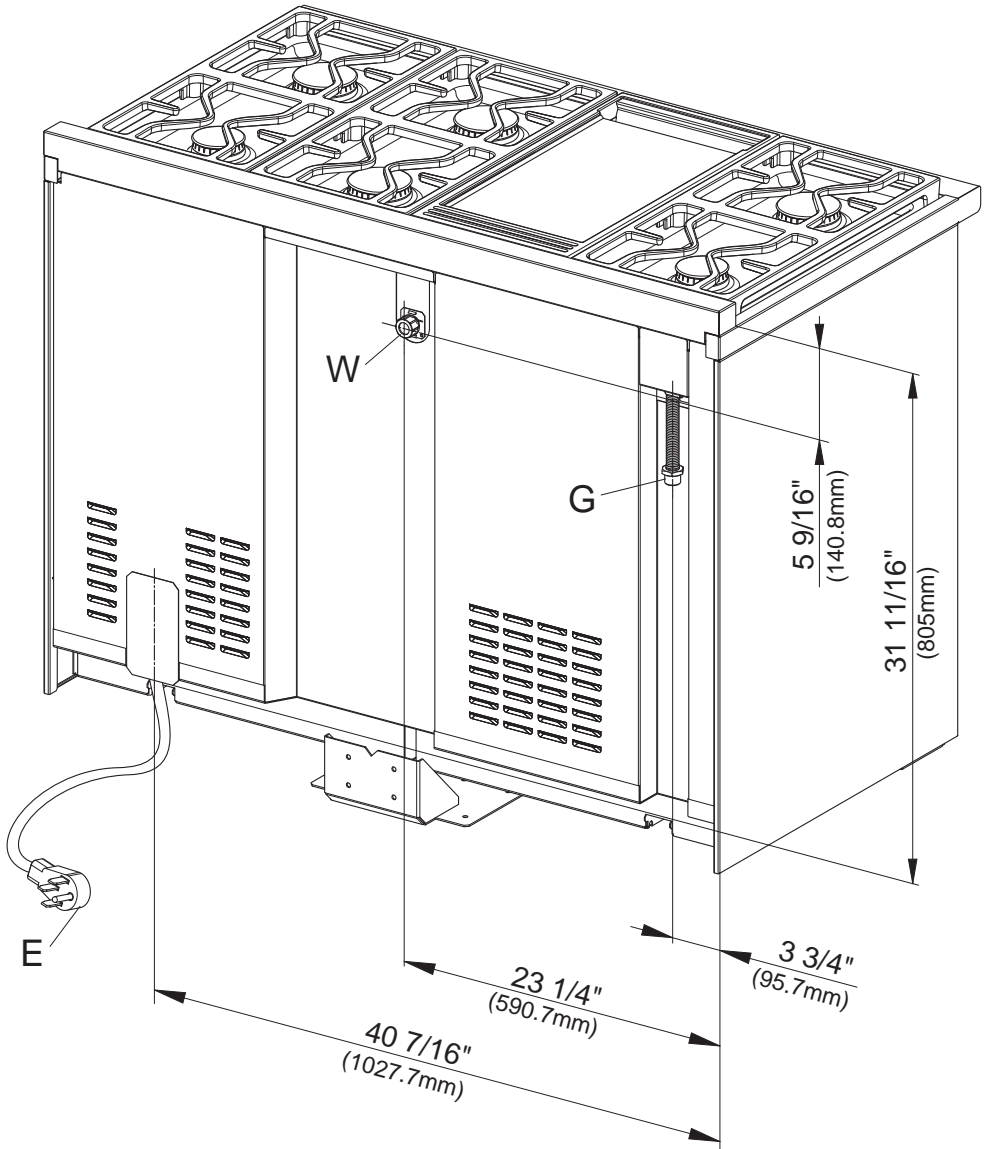
# Dual Fuel Range dimensions

## Detailed front side view of HR 1956



# Dual Fuel Range dimensions

## Rear view of HR 1956



E = Electrical connection

W = Water connection

G = Gas connection

# Anti-tip device

---

## Before installation

### WARNING

Children and adults can tip over the range if has not been secured. This may lead to fatal injuries.

Make sure that the anti-tip device is properly installed and locked into place. It should be screwed to the floor or wall and engage with the center of the bottom of the range. You must take care to protect the installed flooring when moving the range.

After moving the range, make sure that the anti-tip device locks back into place. It should be screwed to the floor or wall and engage with the center of the bottom of the range.

Do not use the range if the anti-tip device has not been properly installed and engaged.

Due to the size and weight of the appliance, installation should be carried out by two people.

Any opening in the wall behind the appliance and in the floor under the appliance shall be sealed.

We recommend removing the oven door before installing the range (see "Removing the door" in the Operating Instructions) and all accessories from the oven interior. This will make it easier to install the appliance in its designated space.

Once the range has been installed and secured against tipping, you can reattach the oven door (see "Reinstalling the door" in the Operating Instructions).

Do not carry or lift the range by the oven door handle or the control panel!



## Checking the installation space

Install the anti-tip device on the floor, concrete wall or timber framing. The surface must be flat and level.

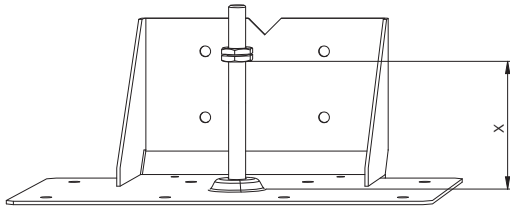
- Check the base surface.
- Check the installation dimensions.
- Check the diagrams for the building's supply lines. Make sure that you do not damage any lines when drilling the holes to attach the anti-tip device.
- Check the position of the electric, gas and water connections (see "Electrical connection", "Gas connection" and "Plumbing"). An overview on the electrical connections for your range can be found in "Notes on installation".

## Included accessories

- 1 anti-tip device
- 4 screws
- 4 plugs

# Anti-tip device


## Installation dimensions of locking bolt



Anti-tip device, front view

Model	Width	X
HR 1421 HR 1622 HR 112x HR 192x	29 15/16" (760 mm)	3 13/16" (97 mm)
HR 113x HR 193x	35 15/16" (913 mm)	3 13/16" (97 mm)
HR 195x	47 15/16" (1218 mm)	3 1/4" (82 mm)

## Installing the range with the anti-tip device

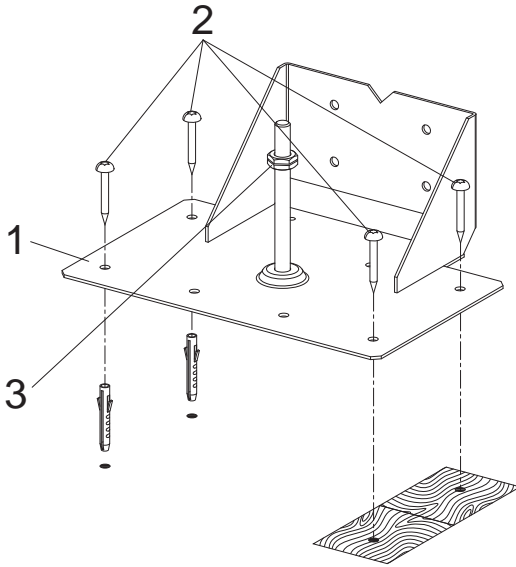
 Wear safety shoes and gloves.

The anti-tip device should be installed at the bottom rear of the range at the midpoint of the width.

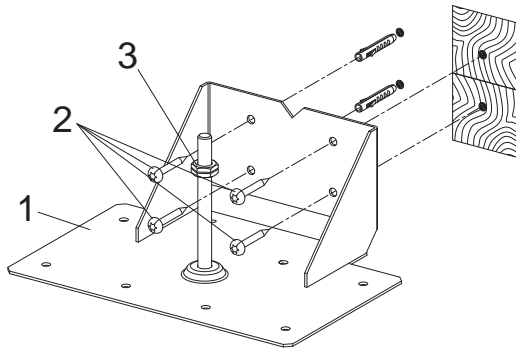
- Measure the installation space for the range close to floor level.
- Mark the wall at the middle of the space width.
- Position the notch of the anti-tip bracket on the wall marking.

The anti-tip device must fit tightly on the floor **or** the wall.

## Anti-tip device



Attaching to the floor



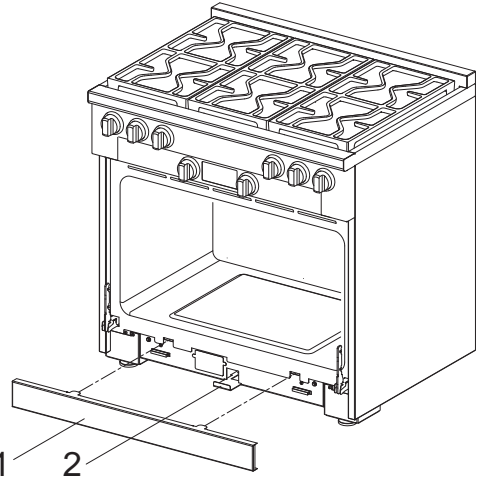
Attaching to the wall

- ① Anti-tip device
- ② Screws
- ③ Locking nut

- Secure the anti-tip device ① to the floor surface with suitable bearing capacity, either to the floor or wall, using four screws ②.
- Screw the locking nut ③ to the bolt, see the "Installation dimensions of locking bolt" table.

**Do not push the range into position until all the utility connections have been made.**

The toe-kick cover is attached to the base of the range by magnets.



- ① Toe-kick cover
- ② Locking clamp

- Remove the toe-kick cover ① from the appliance.
- Pull out the locking clamp ②.

The locking clamp extends through the toe-kick plate of the range housing. Its length is approximately equal to the depth of the range.

A slot is located in the non-visible rear section of the locking clamp. This slot will engage with the bolt of the anti-tip device when you slide the locking latch into the range.

# Anti-tip device

**Complete all necessary connections for the range. Read the information in the "Electrical connection", "Gas connection" and "Plumbing" sections.**

**The range can be damaged if it is lifted using the cover, the trim or the door handle.**

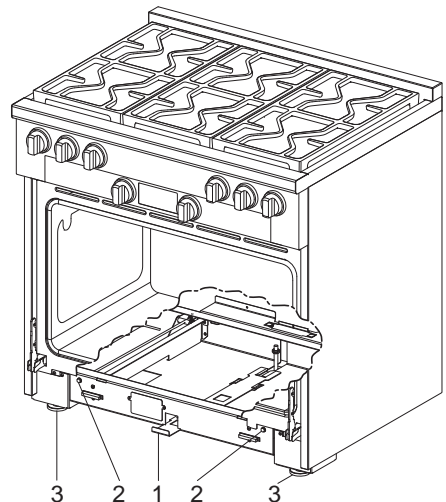
Open the oven door and hold the appliance by the front of the oven interior.

Lift the range and move it with the help of the rear wheels.

- Slide the range into position, guiding the middle of the appliance onto the anti-tip device. Slide the appliance all the way back to the wall.

Use a level to align the range

- Left and right rear adjustment ②:  
You will need a 3/8" (10 mm) open-end wrench.
- Left and right front adjustment ③:  
You will need a 5/8" (16 mm) open-end wrench for the locknut and an open-end wrench (1/2" (13 mm)) for the adjustable nut.



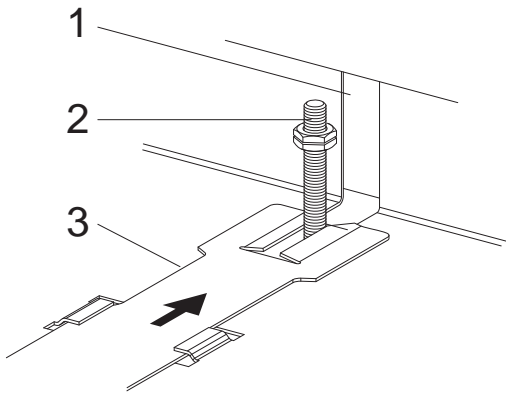
- ① Locking clamp
- ② Rear adjustment
- ③ Front adjustment

■ Align the range.

- Slide the locking clamp ① firmly back into the range.

In the range housing, there is an opening ① for the bolt ② of the anti-tip device. The opening allows the range to be slid onto the anti-tip device and back to the wall.

The locking clamp ③ must noticeably engage with the bolt ② so that anti-tip protection is ensured for the range.



- ① Opening in the range housing
- ② Bolt of the anti-tip device
- ③ Locking clamp with slot

The toe-kick cover can only be attached if the locking clamp ③ has been slid all the way into the appliance.

- Mount the toe-kick cover on the range.

## Disconnecting the range from the anti-tip device

### WARNING

Children and adults can tip over the range if has not been secured. This may lead to fatal injuries.

If you need to remove the range from its installation space, e.g. for service, you first need to disconnect the appliance from the anti-tip device.

- Follow the instructions for installation in reverse order.

## Electrical connection

---

### CAUTION:

During installation, maintenance and repair work, the range must be disconnected from the electricity supply. It is only completely isolated from the electricity supply if the plug fuses have been fully unscrewed (where applicable), the main circuit breaker has been tripped or the power cable has been unplugged from the wall outlet.

Installation, repair and maintenance work should only be performed by a Miele authorized service technician. Work by unqualified persons can cause considerable danger to users. Miele cannot be held liable for any damage arising as a result of such work.

To avoid damaging the range, make sure that the connection data (voltage and frequency) on the data plate correspond to the building's power supply before connecting the appliance. When in doubt, consult a qualified electrician.

The power cable plug must be inserted into a suitable outlet that has been installed and grounded in compliance with all applicable local regulations.

**WARNING: THIS APPLIANCE MUST BE GROUNDED**

**Installer: Please pass these instructions on to the customer.**

## Electrical connection

Type	Connecting line	NEMA	Electrical supply		
HR 1421	approx. 5' 11" (1.80 m)	14-40 P plug	120/208 V	40 A	60 Hz
HR 1421	approx. 5' 11" (1.80 m)	14-40 P plug	120/240 V	40 A	60 Hz
HR 1622 HR 195x	approx. 5' 11" (1.80 m)	14-40 P plug	120/208 V or 120/240 V	40 A	60 Hz
HR 192x HR 193x	approx. 5' 11" (1.80 m)	14-30 P plug	120/208 V or 120/240 V	30 A	60 Hz
HR 112x HR 113x	approx. 5' 11" (1.80 m)	5-15 P plug	120 V	15 A	60 Hz

### Data plate

The data plate with the connection information for the range is located in the middle of the base front behind the removable toe kick cover (see "Guide to the range").

**SAVE THESE INSTRUCTIONS FOR THE ELECTRICAL INSPECTOR'S USE.**

## Electrical connection

---

This appliance must be grounded in compliance with all applicable local and national regulations.

Installation, repair and maintenance work should only be performed by a Miele authorized service technician in compliance with local regulations and the ANSI National Electrical Code / NFPA 70 in the United States or the Canadian Electrical Code, Part I in Canada (CSA standard C22.1).



## Notes on connecting to the water supply

Disconnect the appliance from the electrical power supply before connecting the water line.

Turn off the water supply before connecting the water lines for the range.

- All devices used for connecting the appliance to the water supply must comply with the current national and local safety regulations in the country in which the range is being installed.
- We do not recommend the use of water produced by Reverse Osmosis filtration systems. Along with the possibility of detrimental health effects, highly purified water can cause the premature corrosion and failure of components in your appliance. Furthermore, many RO systems, especially under counter systems, do not deliver sufficient water pressure to allow the appliance to operate properly. Connection to such a water supply could cause poor performance, premature appliance failure, leaks and/or flooding. Miele will not be responsible for any damages caused by appliances connected to these systems. Only use filtered, softened and demineralized water from the building's plumbing to supply the oven.
- **Connect the range to a cold water supply only.**
- The range may be connected to a water supply without a non-return valve.

- A water shut-off valve must be provided between the stainless steel hose and the household water supply to ensure that the water supply can be cut off if necessary.
- The water shut-off valve must be accessible after installation.
- The water pressure must be between 1 and 10 bar ( $10^5$  and  $10^6$  Pa or 14.5 and 145 psi). If the pressure is higher than this, install a pressure reducer.
- The stainless steel hose provided has a length of 4 ft. 11" (1.5 m). Longer intake hoses are available if necessary. Do not shorten the hoses.
- The total hose length must not exceed 24.5 ft. (7.5 m).

Ensure that the shut-off valve is accessible after installation.

If the stainless steel hose is damaged, it must be replaced with a hose suitable for supplying drinking water.

# Plumbing

## Attach the stainless steel hose to the range.

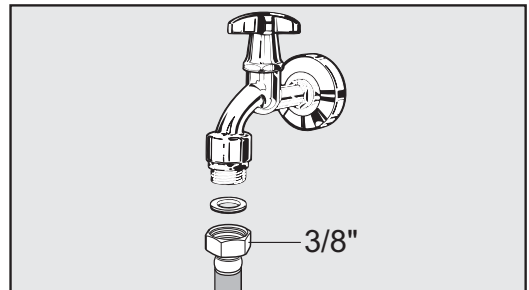
Make sure that the stainless steel hose is not kinked or damaged. The stainless steel hose must **not** be shortened.

- Remove the cover from the water supply connection at the back of the range.
- Take the **angled** side of the stainless steel hose and check whether a gasket is present. If not, insert one.
- Screw the stainless steel hose coupling nut onto the threaded union.
- Ensure that the hose is correctly seated.

## Connecting to the water supply

Danger of electric shock!  
Disconnect the range from the electrical supply before connecting it to the water supply.

- Check that the gasket is present. Replace, if not, insert before connecting to the water supply.




- Connect the stainless steel hose to the water supply.

Old or previously used tubing should never be connected to the range. Only use the stainless steel hose supplied.

- Ensure that the hose is correctly seated.
- Slowly open the shut-off valve to the water supply and check for leaks.

## Gas connection

 Connection to the gas supply and any switchover to a different gas type may only be performed by a duly authorized gas company technician. This technician is responsible for proper function at the installation site. In Massachusetts installation must be performed by a licensed plumber/gas fitter.

The range must be connected with its own shut-off valve. The gas connection must be arranged in such a way that connection is possible inside or outside of the kitchen cabinets. The shut-off valve must be accessible and visible, after the opening of a cabinet door, if necessary.

The gas connection of the range is desired for natural gas or liquid gas (propane) according to the model. Ask your gas company what kind of gas is used and compare it with the specifications on the data plate.

The range is not connected to an exhaust vent. During the setup and connection of the range, observe the applicable installation conditions, especially suitable ventilation measures.

The gas connections must be arranged in such a way that they are not heated and damaged by the operation of the range. In particular, make sure that the gas hose lines and connection fittings on the range do not come into contact with hot exhaust gases.

Flexible connecting lines can be damaged by incorrect attachment. Attach flexible connecting lines in such a way so that they do not come into contact with any moving kitchen parts (e.g., a drawer) and are not exposed to mechanical stress.

The range and the shut-off valve must be disconnected from the gas supply during gas pressure tests. Disconnect the range and the shut-off valve from the gas supply before performing a gas pressure test at a pressure of more than 1/2 psi (3.5 kPa). Close the shut-off valve of the gas supply before performing a gas pressure test at a pressure of less than or equal to 1/2 psi (3.5 kPa).

Incorrectly sealed gas lines can lead to a gas leak and thus to an explosion. Seal all gas lines with a suitable thread sealant.

Seal tightness tests on the range must be performed according to manufacturer specifications.

## Gas connection

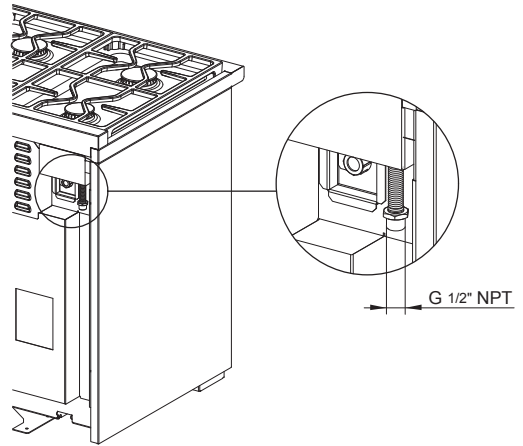
The gas connection must be established only Miele-authorized specialists according to the local and following regulations:

National Fuel Gas Code  
ANSI Z 21.1 / NFPA No. 54 for the United States or the current Can / CGA B 149.1 and 2 Installation Codes of Gas Appliances for Canada.

The installation must conform with local codes or, in the absence of local codes, with the National Fuel Gas Code, ANSI Z223.1/NFPA 54.

The gas pressure may not undershoot or exceed certain values. Make sure that the maximum gas pressure upstream of the gas pressure controller does not amount to more than 1/2 psi (3.5 kPa) for natural and liquid gas.

Make sure that the minimum gas pressure amounts to a 6" (150 mm) water head in the case of natural gas and a 11" (279,4 mm) water head in the case of liquid gas.



## Converting to another gas type

---

The gas connection of the range depends upon the model of the range.

If the range is not configured for the proper type of gas connection please contact your Miele dealer.

If the range has to be converted over to another gas type, all jets must be exchanged. A conversion kit is available as an optional accessory from the Miele Technical Service Department.

## Burner ratings

---

### Burner rating of HR 1124

	Gas type	Btu/hr	kW
		max	max
Simmer burner	Natural gas	12,500	3.70
	Propane gas	12,500	3.70
Power burner	Natural gas	19,500	5.70
	Propane gas	19,500	5.70
Oven top burner	Natural gas	22,000	6.45
	Propane gas	20,150	5.90
Oven bottom burner	Natural gas	23,200	6.79
	Propane gas	23,200	6.79
Total output Cooktop	Natural gas	71,000	20.80
	Propane gas	71,000	20.80
Maximum total output Range	Natural gas	94,200	27.59
	Propane gas	94,200	27.59

## Burner ratings

### Burner rating of HR 1134

	Gas type	Btu/hr	kW
		max	max
Simmer burner	Natural gas	12,500	3.70
	Propane gas	12,500	3.70
Power burner	Natural gas	19,500	5.70
	Propane gas	19,500	5.70
Oven top burner	Natural gas	22,000	6.45
	Propane gas	20,150	5.90
Oven bottom burner	Natural gas	25,500	7.47
	Propane gas	27,000	7.90
Total output Cooktop	Natural gas	110,000	32.20
	Propane gas	110,000	32.20
Maximum total output Range	Natural gas	135,500	39.67
	Propane gas	137,000	40.10

## Burner ratings

---

### Burner rating of HR 1135

	Gas type	Btu/hr	kW
		max	max
Simmer burner	Natural gas	12,500	3.70
	Propane gas	12,500	3.70
Power burner	Natural gas	19,500	5.70
	Propane gas	19,500	5.70
Grill	Natural gas	19,000	5.50
	Propane gas	15,500	4.50
Oven top burner	Natural gas	22,000	6.45
	Propane gas	20,150	5.90
Oven bottom burner	Natural gas	25,500	7.47
	Propane gas	27,000	7.90
Total output Cooktop	Natural gas	90,000	26.30
	Propane gas	86,500	25.30
Maximum total output Range	Natural gas	115,500	33.77
	Propane gas	113,500	33.20



## Burner ratings

### Burner rating of HR 1136

	Gas type	Btu/hr	kW
		max	max
Simmer burner	Natural gas	12,500	3.70
	Propane gas	12,500	3.70
Power burner	Natural gas	19,500	5.70
	Propane gas	19,500	5.70
Griddle	Natural gas	13,000	3.80
	Propane gas	14,300	4.20
Oven top burner	Natural gas	22,000	6.45
	Propane gas	20,150	5.90
Oven bottom burner	Natural gas	25,500	7.47
	Propane gas	27,000	7.90
Total output Cooktop	Natural gas	84,000	24.60
	Propane gas	85,300	25.00
Maximum total output Range	Natural gas	109,500	32.07
	Propane gas	112,300	32.90

### Burner rating of HR 1924

	Gas type	Btu/hr	kW
		max	max
Simmer burner	Natural gas	12,500	3.70
	Propane gas	12,500	3.70
Power burner	Natural gas	19,500	5.70
	Propane gas	19,500	5.70
Total output Cooktop	Natural gas	71,000	20.80
	Propane gas	71,000	20.80

## Burner ratings

---

### Burner rating of HR 1934

	Gas type	Btu/hr	kW
		max	max
Simmer burner	Natural gas	12,500	3.70
	Propane gas	12,500	3.70
Power burner	Natural gas	19,500	5.70
	Propane gas	19,500	5.70
Total output Cooktop	Natural gas	110,000	32.20
	Propane gas	110,000	32.20

### Burner rating of HR 1935

	Gas type	Btu/hr	kW
		max	max
Simmer burner	Natural gas	12,500	3.70
	Propane gas	12,500	3.70
Power burner	Natural gas	19,500	5.70
	Propane gas	19,500	5.70
Grill	Natural gas	19,000	5.50
	Propane gas	15,500	4.50
Total output Cooktop	Natural gas	90,000	26.30
	Propane gas	86,500	25.30

## Burner ratings

### Burner rating of HR 1936

	Gas type	Btu/hr	kW
		max	max
Simmer burner	Natural gas	12,500	3.70
	Propane gas	12,500	3.70
Power burner	Natural gas	19,500	5.70
	Propane gas	19,500	5.70
Griddle	Natural gas	13,000	3.80
	Propane gas	14,300	4.20
Total output Cooktop	Natural gas	84,000	24.60
	Propane gas	85,300	25.00

### Burner rating of HR 1954

	Gas type	Btu/hr	kW
		max	max
Simmer burner	Natural gas	12,500	3.70
	Propane gas	12,500	3.70
Power burner	Natural gas	19,500	5.70
	Propane gas	19,500	5.70
Total output Cooktop	Natural gas	142,000	41.60
	Propane gas	142,000	41.60

## Burner ratings

---

### Burner rating of HR 1955

	Gas type	Btu/hr	kW
		max	max
Simmer burner	Natural gas	12,500	3.70
	Propane gas	12,500	3.70
Power burner	Natural gas	19,500	5.70
	Propane gas	19,500	5.70
Grill	Natural gas	19,000	5.50
	Propane gas	15,500	4.50
Total output Cooktop	Natural gas	122,000	35.70
	Propane gas	118,500	34.70

### Burner rating of HR 1956

	Gas type	Btu/hr	kW
		max	max
Simmer burner	Natural gas	12,500	3.70
	Propane gas	12,500	3.70
Power burner	Natural gas	19,500	5.70
	Propane gas	19,500	5.70
Griddle	Natural gas	13,000	3.80
	Propane gas	14,300	4.20
Total output Cooktop	Natural gas	116,000	34.00
	Propane gas	117,300	34.40

### **Disposal of the packing material**

The cardboard box and packing materials protect the appliance during shipping. They have been designed to be biodegradable and recyclable.

Ensure that any plastic wrappings, bags, etc. are disposed of safely and kept out of the reach of children.

**Danger of suffocation!**

### **Disposal of your old appliance**

Old electrical and electronic appliances often still contain valuable materials. However, they also contain harmful substances that were essential for the proper functioning and safe use of the equipment. Handling these materials improperly or disposing of them in your household waste can be harmful to your health and the environment. Therefore, please do not dispose of your old appliance with regular household waste.

Old appliances may contain materials that can be recycled. Please contact your local recycling authority about the possibility of recycling these materials.

Please be sure that your old appliance does not pose a danger to children while being stored for disposal.



Please have the model and serial number  
of your appliance available before  
contacting Technical Service.

---

## **U.S.A.**

**Miele, Inc.**

### **National Headquarters**

9 Independence Way  
Princeton, NJ 08540  
Phone: 800-843-7231  
609-419-9898  
Fax: 609-419-4298  
[www.mieleusa.com](http://www.mieleusa.com)

### **Technical Service & Support Nationwide**

Phone: 800-999-1360  
Fax: 888-586-8056  
[TechnicalService@mieleusa.com](mailto:TechnicalService@mieleusa.com)



[www.miele-shop.com](http://www.miele-shop.com)

# **Miele**

## **Canada**

**Importer**  
**Miele Limited**

### **Headquarters and Miele Centre**

161 Four Valley Drive  
Vaughan, ON L4K 4V8  
[www.miele.ca](http://www.miele.ca)

### **Customer Care Centre**

Phone: 800-565-6435  
905-532-2272  
[customercare@miele.ca](mailto:customercare@miele.ca)

## **Germany**

### **Manufacturer**

Miele & Cie. KG  
Carl-Miele-Straße 29  
33332 Gütersloh

**Miele**

All Electric: HR1421; HR1622; All Gas: HR1124; HR1134; HR1135;  
HR1136; Dual Fuel: HR1924; HR1934; HR1935; HR1936; HR1954;  
HR1955; HR1956



en-US, CA

M.-Nr. 09 898 161 / 02